



CONCRETE PRODUCT CATALOG



**OMURA
GROUP**

Total architectural service

OMURA Concrete Co., Ltd.

WHAT'S NEW!

◆ SKW (Retaining Wall)	2
◆ Car way ILB	3

STANDARD

◆ Silent Gutter, Cover	7
◆ Silent Gutter	8
◆ U-Shape Gutter	9
◆ DO-AD Gutter	10
◆ DO Gutter	12
◆ VS Gutter L=2000	13
◆ VS Gutter L=1000	14
◆ VS Gutter Cover	15
◆ Silent VS Gutter L=2000	16
◆ Silent VS Gutter L=1000	17
◆ Silent VS Gutter Cover	18
◆ VS Gutter BIG	19
◆ Concrete curb	20
● Standard	20
● Sapporo type	21
● Dogen type	21
◆ Basin with grating	23
● MANHOLE	24

CULVERT

◆ DO Pipe	26
◆ BOX Culvert	28

WALL

◆ SKW (Retaining Wall)	32
◆ KENCHI Block	34
◆ Noridome 300	35

WATER WAY

● NL water way	38
● TDL water way	40

INTERLOCKING BLOCK

◆ CAR WAY INTERLOCKING BLOCK	45
● Straight (80mm)	45
● TOP Shape (100mm)	46
◆ WALKWAY INTERLOCKING BLOCK	47
● Straight (60mm)	47
● Flat Plate	48
● Apia	49
● Uni-Normal	50
● pogolit	51
● Tenji, senji	52
● BORDER BLOCK	53

ABOUT THE COMPANY

	54
--	----



WHAT'S NEW!

SKW (Retaining Wall)

Car way ILB

SKW (Retaining Wall)

SKW is right weight and strong retaining wall. The installation is very easy and fast by crane hanging and backfilling sand. The product is also follow Japanese Industrial Standard (JIS), so that it will be use long year with beautiful finishing.

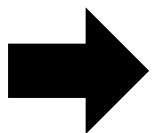
- Easy Installation
- Speedy
- Beautiful
- Strong
- Longtime Use

Please consider to use as the wall of the backfilling.

Local Wall



SKW Wall



Detail Information. P.32

Car way ILB

Installation by ILB can make beautiful road and landscape. OMURA Carway ILB is also made by Japanese Industrial Standard (JIS). So that it can use more than 20 years. The character of ILB that is color variety, can divide carway, walkway, moto bike way, parking, crossway, and white line etc.. The color pavement contribute to keep safety of the road condition.

- Beautiful
- Safety
- Strong
- Longtime Use



➔ Detail Information. P.45

WHAT'S NEW!

STANDARD

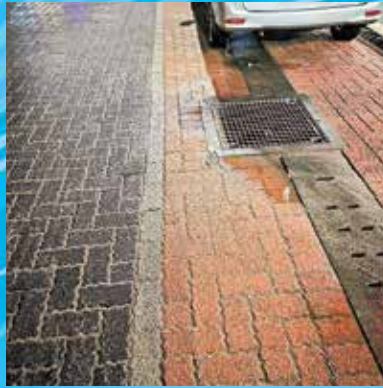
CULVERT

WALL

WATER WAY

INTERLOCKING BLOCK





STANDARD

Silent Gutter, Cover

U-Shape Gutter

DO-AD Gutter

DO Gutter

VS Gutter

Silent VS Gutter

VS Gutter BIG

Concrete curb

Standard

Sapporo type

Dogen type

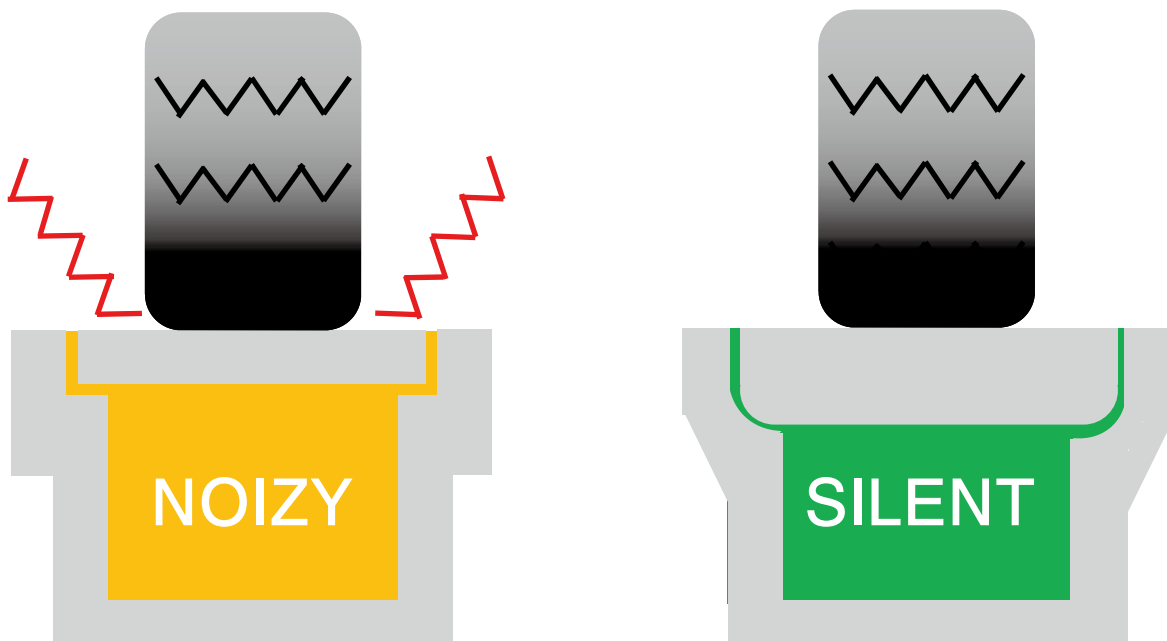
Basin with grating

MANHOLE

Silent Gutter

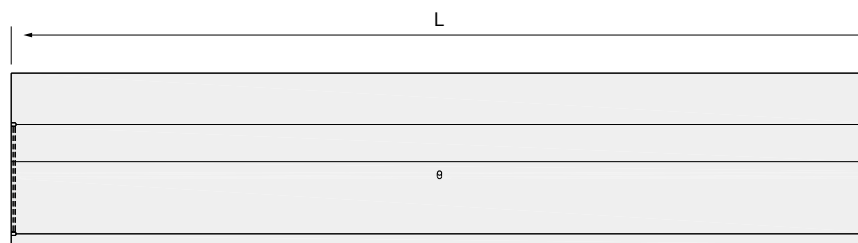
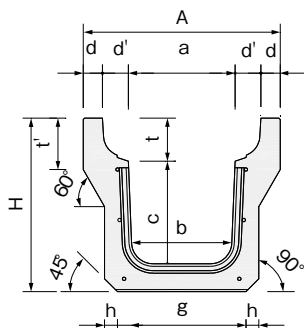


- Silent gutter doesn't make noise when car come across gutter.
- Very easy to clean up inside.
- Never happen clacking cause of rattling.
- The regulation follow Japanese Industrial Standard (JIS).



Silent Gutter, Cover

Standard



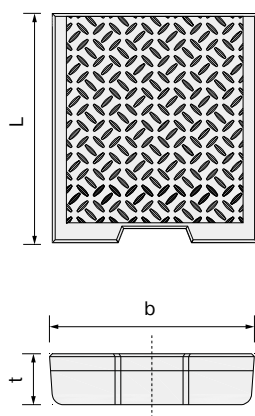
Size

SIZE	A	H	a	b	c	d	d'	g	h	t	t'	L	Weight L=1,000	Weight L=2,000
250	460	405	250	230	250	45	60	300	30	90	120	1000 and 2000	160	320
300	520	465	300	280	300	50	60	360	30	95	140		212	424
400	630	580	400	370	400	55	60	430	40	110	140		262	524
300B	520	565	300	330	400	50	60	330	40	95	140	2000	-	474

(mm) (kg) (kg)

Cover of silent gutter

Standard



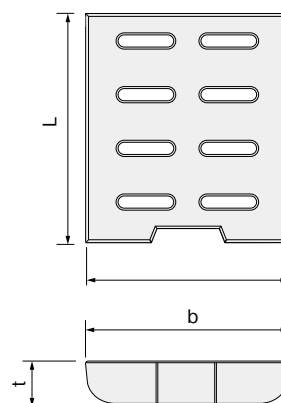
Size

SIZE	b	t	L	Weight
250	362	90	500	37
300	412	95	500	45
400	512	110	500	65

(mm) (kg)

Rain hole Cover of silent gutter

Standard



Size

SIZE	b	t	L	Weight
250	362	90	500	31
300	412	95	500	39
400	512	110	500	59

(mm) (kg)

WHAT'S NEW!

STANDARD

CULVERT

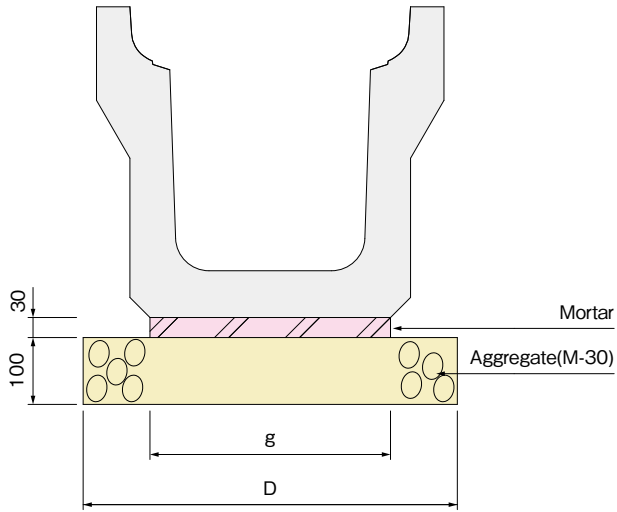
WALL

WATER WAY

INTERLOCKING BLOCK

Silent Gutter

Standard structure (Per 10m)

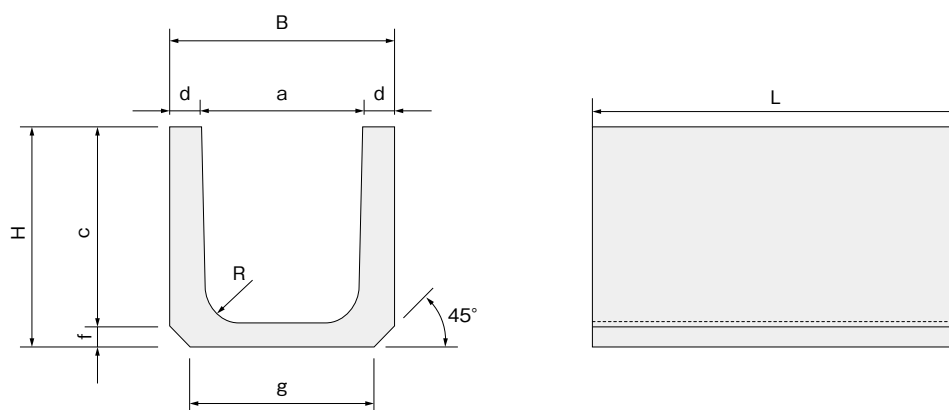


SIZE	g	D	Aggregate (M-30)		Mortar
			(m ²)	(m ³)	(m ³)
250A	300	500	5.000	0.500	0.090
300A	360	560	5.600	0.560	0.108
300B	360	560	5.600	0.560	0.108
400A	430	630	6.300	0.630	0.129

(mm)

U-Shape Gutter

Standard

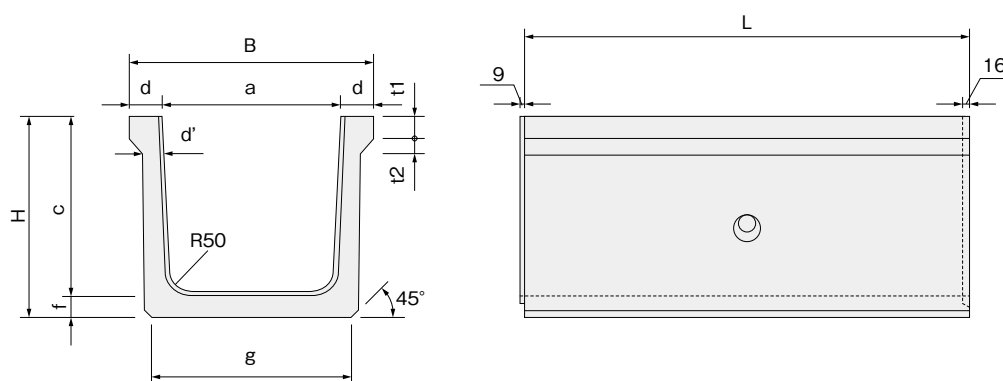


Size

SIZE	a	c	B	H	g	d	f	R	L	Weight
300B	300	300	400	360	300	50	60	50	600	80
360B	360	360	460	425	360	50	65	50	600	101
450	450	450	560	520	430	55	70	70	600	136

(mm) (kg)

Standard



Size

SIZE	a	c	B	H	g	d	d'	f	t1	t2	L	Weight
240	240	240	330	275	270	45	30	35	30	20	1000	66
240L	240	240	330	275	270	45	30	35	30	20	2000	143
300	300	300	400	340	316	50	35	40	35	20	1000	91
400	400	400	510	450	430	55	45	50	45	20	1000	149

(mm) (kg)

WHAT'S NEW!

STANDARD

CULVERT

WALL

WATER WAY

INTERLOCKING BLOCK

DO-AD Gutter

DO-ADA300A L2000
DO-ADA300A RAIN HOLE L2000

Product Summary

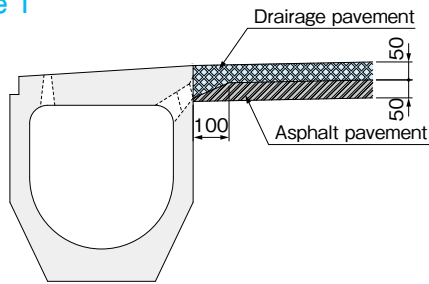
DO-AD gutter is made hole at the side of the gutter to drain water. By combining gutter and drain hole, drain system that is smoothly drain from

- drainage pavement without stacking problem from garbage in the surface is available.

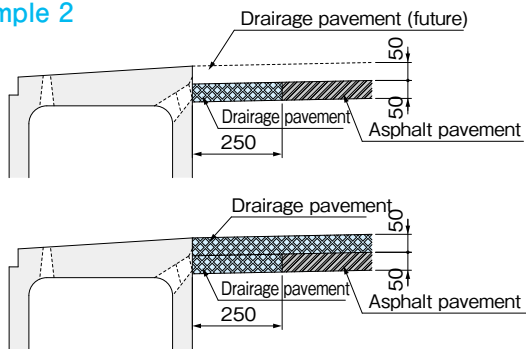


Example of the installation

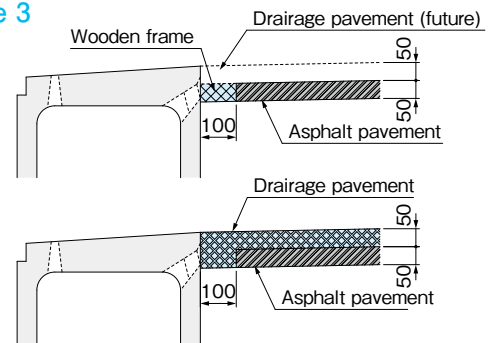
Sample 1



Sample 2



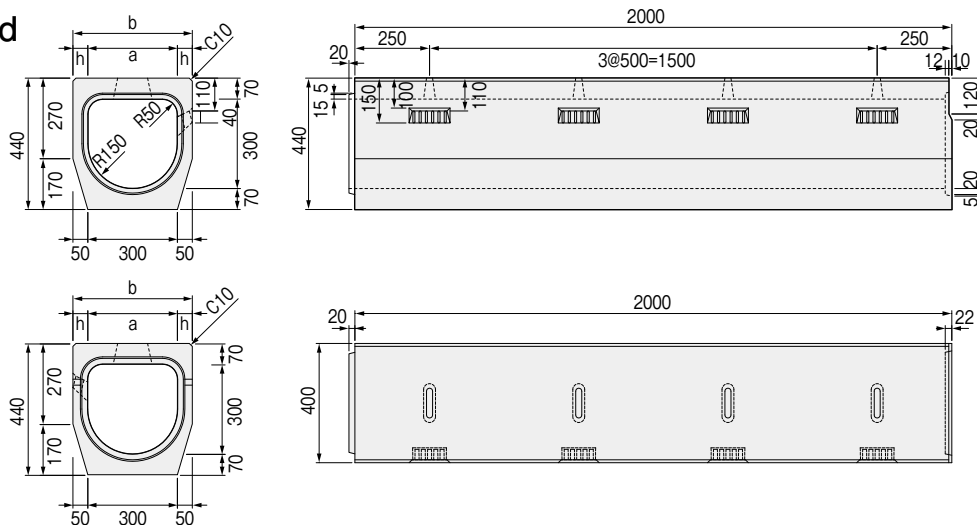
Sample 3



DO-AD Gutter

DO-ADA300A L2000

Standard



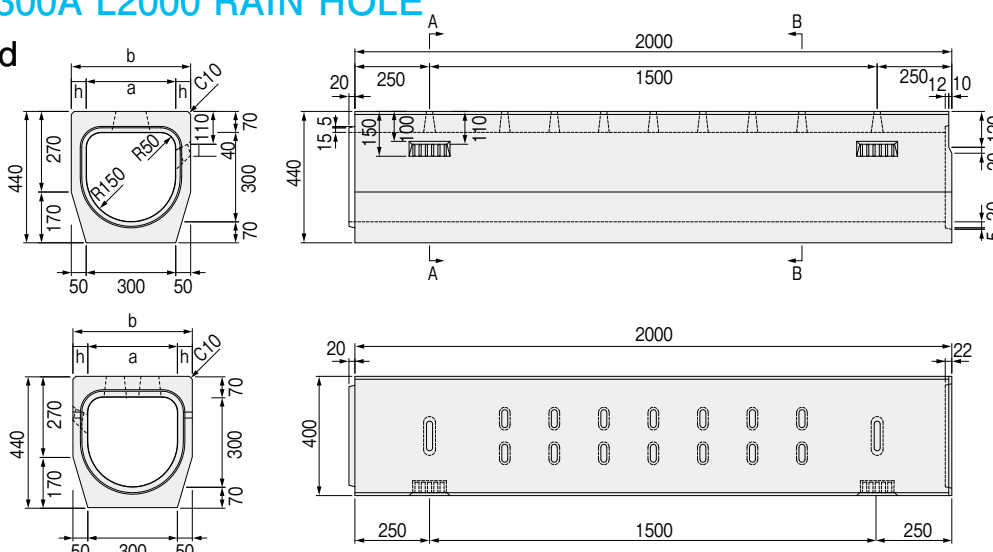
Size

SIZE	a	c	b	k	g	d	e	f	h	j	i	R1	R2	Weight
300A	300	300	400	440	300	50	70	70	50	270	170	50	150	432

(mm) (kg)

DO-ADA300A L2000 RAIN HOLE

Standard

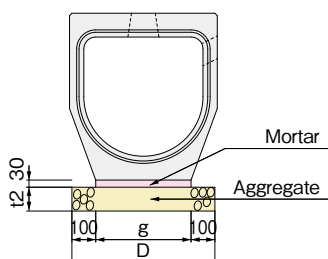


Size

SIZE	a	c	b	k	g	d	e	f	h	j	i	R1	R2	Weight
300A	300	300	400	440	300	50	70	70	50	270	170	50	150	432

(mm) (kg)

Standard structure



SIZE	g	D	t1	t2	Aggregate		Form work for foundation	Concrete	Mortar
	(mm)	(mm)	(mm)	(mm)	(m ²)	(m ³)	(m ²)	(m ³)	(m ³)
300A	300	500	-	100	5.000	0.500	-	-	0.090

WHAT'S NEW!

STANDARD

CULVERT

WALL

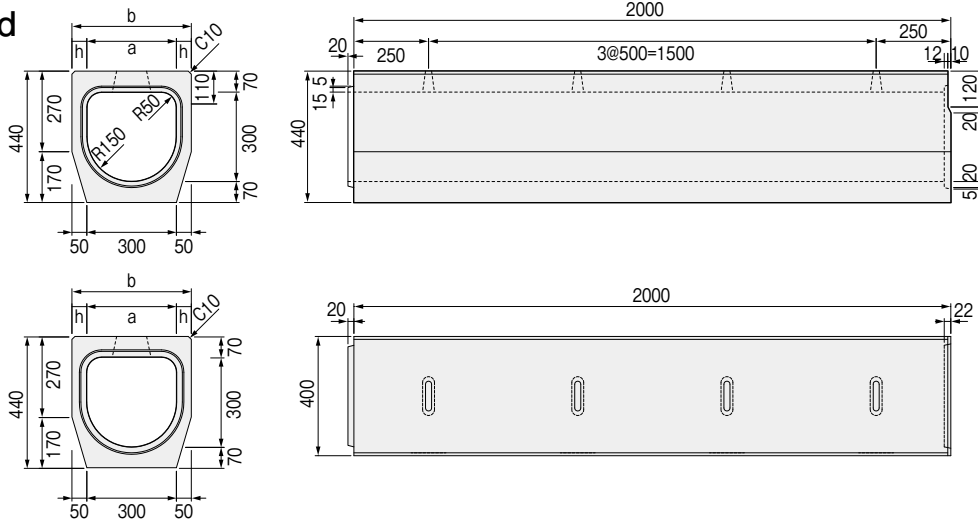
WATER WAY

INTERLOCKING BLOCK

DO Gutter

DOA300A L2000

Standard



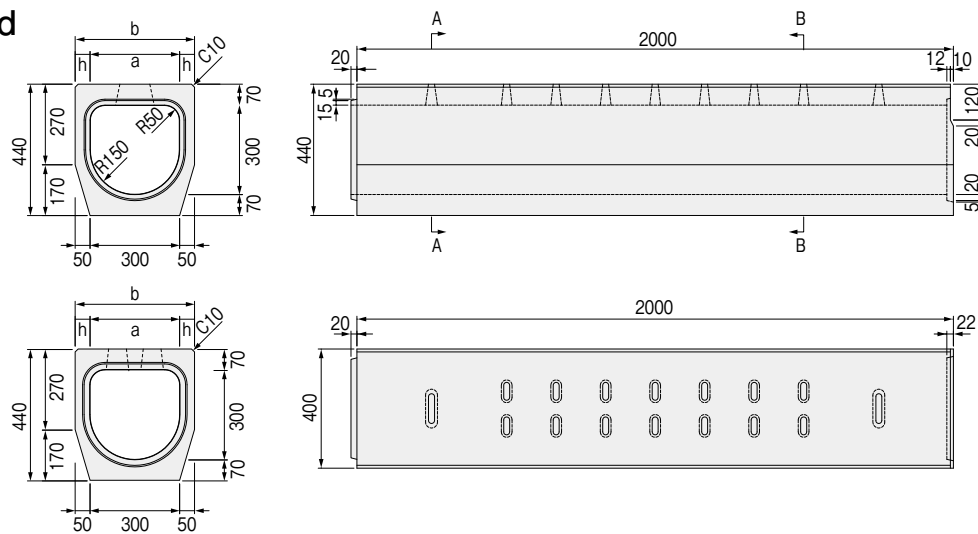
Size

SIZE	a	c	b	k	g	d	e	f	h	j	i	R1	R2	Weight
300A	300	300	400	440	300	50	70	70	50	270	170	50	150	432

(mm) (kg)

DOA300A L2000 RAIN HOLE

Standard

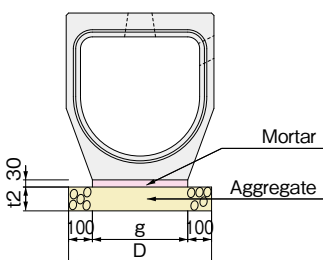


Size

SIZE	a	c	b	k	g	d	e	f	h	j	i	R1	R2	Weight
300A	300	300	400	440	300	50	70	70	50	270	170	50	150	432

(mm) (kg)

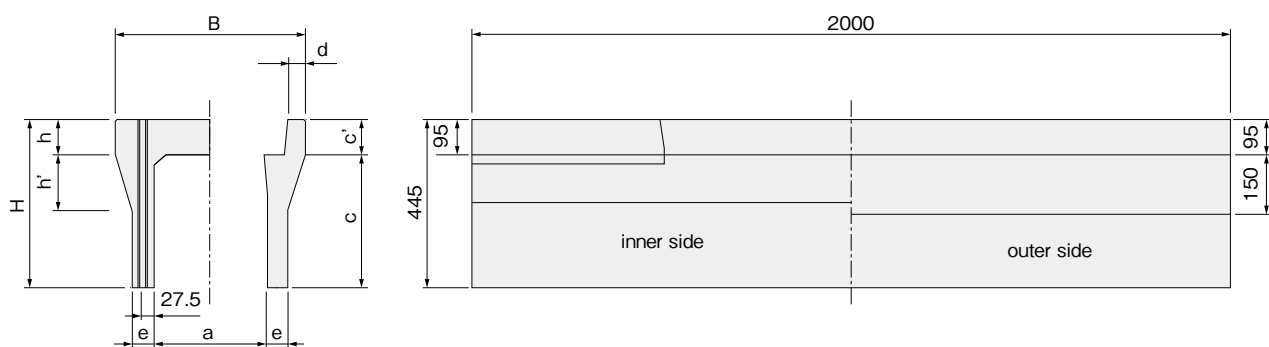
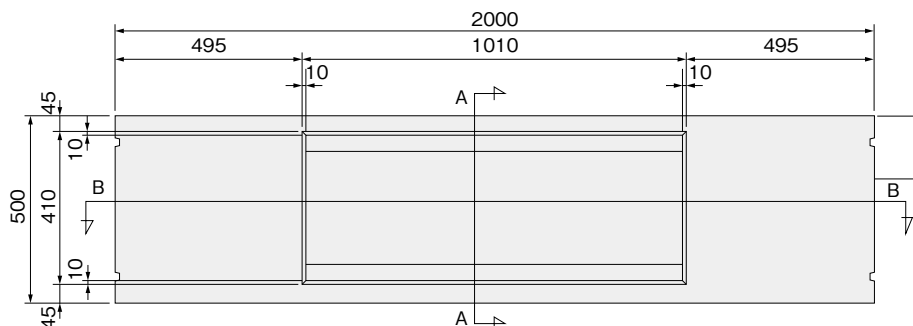
Standard structure



SIZE	g	D	t1	t2	Aggregate		Form work for foundation	Concrete	Mortar
	(mm)	(mm)	(mm)	(mm)	(m ²)	(m ³)	(m ²)	(m ³)	(m ³)
300A	300	500	-	100	5.000	0.500	-	-	0.090

VS Gutter L=2000

Standard



Size

SIZE	B	H	a	c	c'	d	e	h	h'	Weight
300×300	500	445	300	350	95	45	55	95	150	354
300×400	500	545	300	450	95	45	55	95	150	404
300×500	500	645	300	550	95	45	55	95	150	456
300×600	500	745	300	650	95	45	65	95	160	566
300×700	500	845	300	750	95	45	65	95	160	627
300×800	500	945	300	850	95	45	65	95	160	688

(mm) (kg)

WHAT'S NEW!

STANDARD

CULVERT

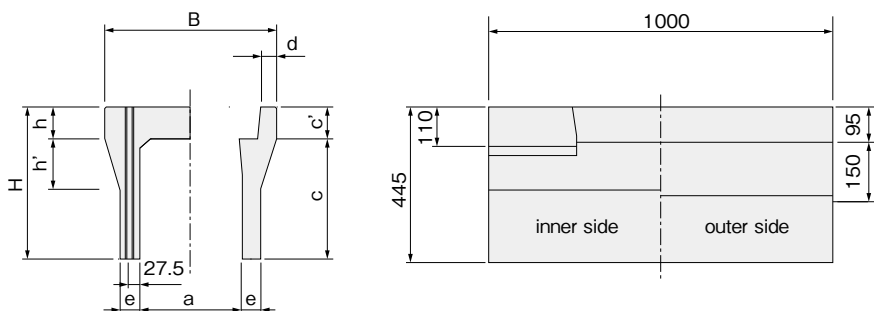
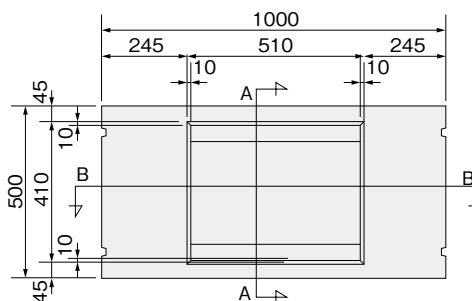
WALL

WATER WAY

INTERLOCKING BLOCK

VS Gutter L=1000

Standard



Size

SIZE	B	H	a	c	c'	d	e	h	h'	Weight
300×300	500	445	300	335	95	45	55	95	150	180
300×400	500	545	300	435	95	45	55	95	150	205
300×500	500	645	300	535	95	45	55	95	150	230
300×600	500	745	300	635	95	45	65	95	160	300
300×700	500	845	300	735	95	45	65	95	160	331
300×800	500	945	300	835	95	45	65	95	160	362

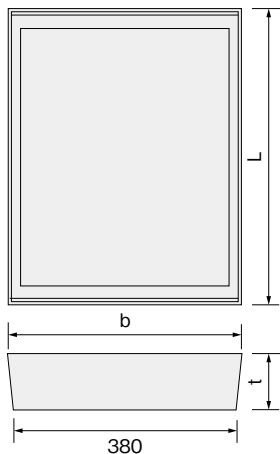
(mm)

(kg)

VS Gutter Cover

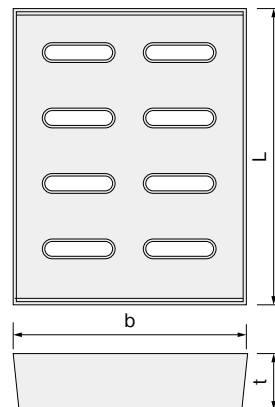
Rain hole Cover of VS gutter

Standard



Size

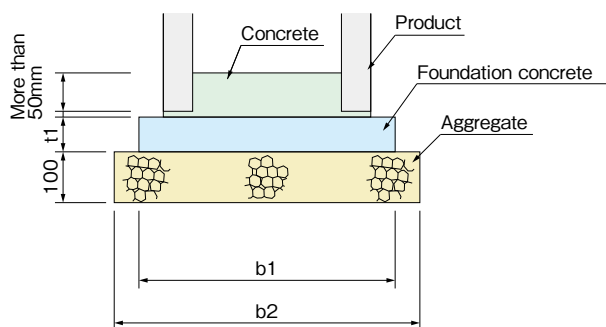
SIZE	b	t	L	Weight
300	400	95	498	45
			(mm)	(kg)



Size

SIZE	b	t	L	Weight
300	400	95	498	41
			(mm)	(kg)

Standard structure



SIZE	b1	b2	t1
300 × 300 ~ 500	510	610	70
300 × 600 ~ 800	530	630	70
			(mm)

WHAT'S NEW!

STANDARD

CULVERT

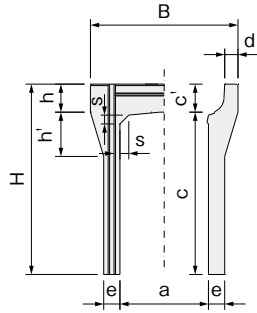
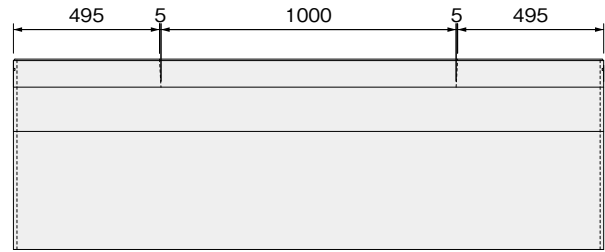
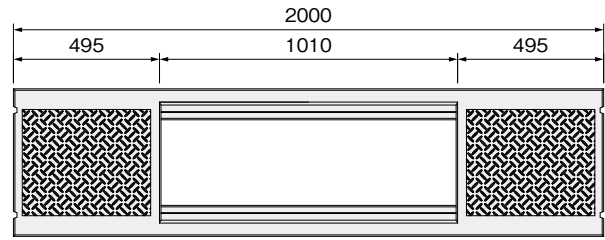
WALL

WATER WAY

INTERLOCKING BLOCK

Silent VS Gutter L=2000

Standard



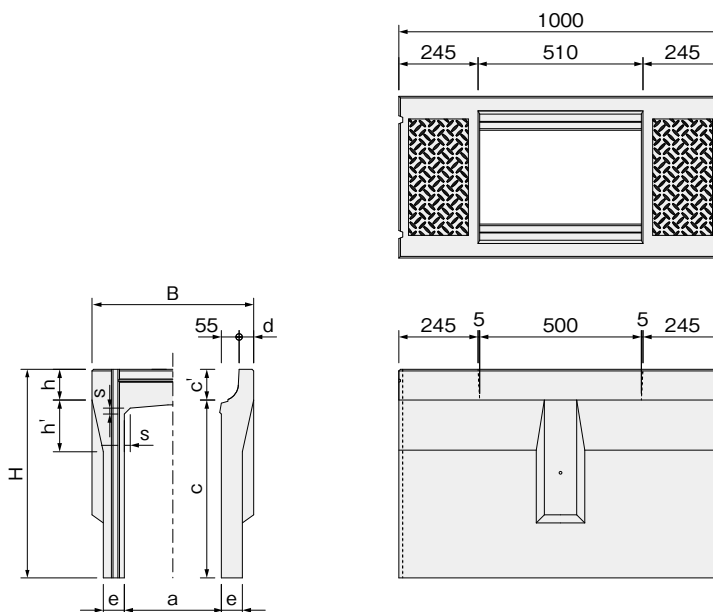
Size

SIZE	B	H	a	c	c'	d	e	h	h'	s	Weight
400×400	610	560	400	450	110	50	55	110	150	30	480
400×500	610	660	400	550	110	50	60	110	160	40	537
400×600	610	760	400	650	110	50	60	110	160	40	594
400×700	610	860	400	750	110	50	70	110	170	45	719
400×800	610	960	400	850	110	50	70	110	170	45	784
400×900	610	1060	400	950	110	50	70	110	170	45	850
400×1000	610	1160	400	1050	110	50	80	110	180	50	1010
400×1100	610	1260	400	1150	110	50	80	110	180	50	1085
400×1200	610	1360	400	1250	110	50	80	110	180	50	1160
500×600	720	775	500	650	125	55	70	125	170	50	710
500×700	720	875	500	750	125	55	70	125	170	50	775
500×800	720	975	500	850	125	55	70	125	170	50	840
500×900	720	1075	500	950	125	55	85	125	180	60	1032
500×1000	720	1175	500	1050	125	55	85	125	180	60	1111
500×1100	720	1275	500	1150	125	55	85	125	180	60	1190

(mm) (kg)

Silent VS Gutter L=1000

Standard



Size

SIZE	B	H	a	c	c'	d	e	h	h'	s	Weight
400×400	610	560	400	450	110	50	70	110	170	28.8	271
400×500	610	660	400	550	110	50	70	110	170	28.8	305
400×600	610	760	400	650	110	50	70	110	170	28.8	339
400×700	610	860	400	750	110	50	80	110	180	33.8	393
400×800	610	960	400	850	110	50	80	110	180	33.8	431
400×900	610	1060	400	950	110	50	80	110	180	33.8	469
400×1000	610	1160	400	1050	110	50	80	110	180	33.8	507
400×1100	610	1260	400	1150	110	50	80	110	180	33.8	545
400×1200	610	1360	400	1250	110	50	80	110	180	33.8	583
500×600	720	775	500	650	125	55	85	125	180	49.1	426
500×700	720	875	500	750	125	55	85	125	180	49.1	467
500×800	720	975	500	850	125	55	85	125	180	49.1	508
500×900	720	1075	500	950	125	55	85	125	180	49.1	549
500×1000	720	1175	500	1050	125	55	85	125	180	49.1	590
500×1100	720	1275	500	1150	125	55	85	125	180	49.1	631

(mm)

(kg)

WHAT'S NEW!

STANDARD

CULVERT

WALL

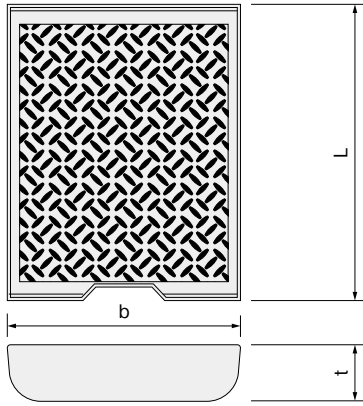
WATER WAY

INTERLOCKING BLOCK

Silent VS Gutter Cover

Cover of silent VS gutter

Standard



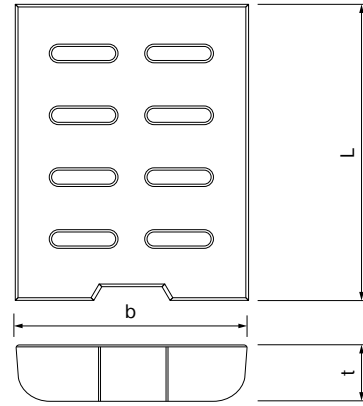
Size

SIZE	b	t	L	Weight
400	500	110	500	60
500	600	125	500	83

(mm) (kg)

Rain hole Cover of VS gutter

Standard

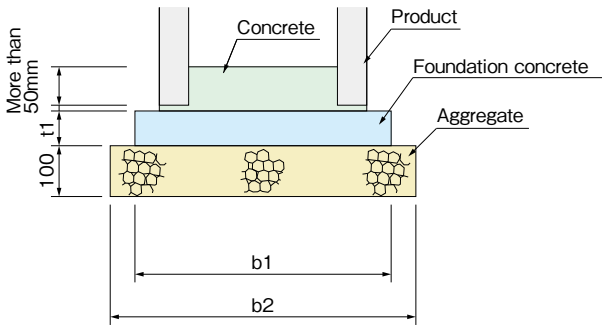


Size

SIZE	b	t	L	Weight
400	500	110	500	54
500	600	125	500	77

(mm) (kg)

Standard structure

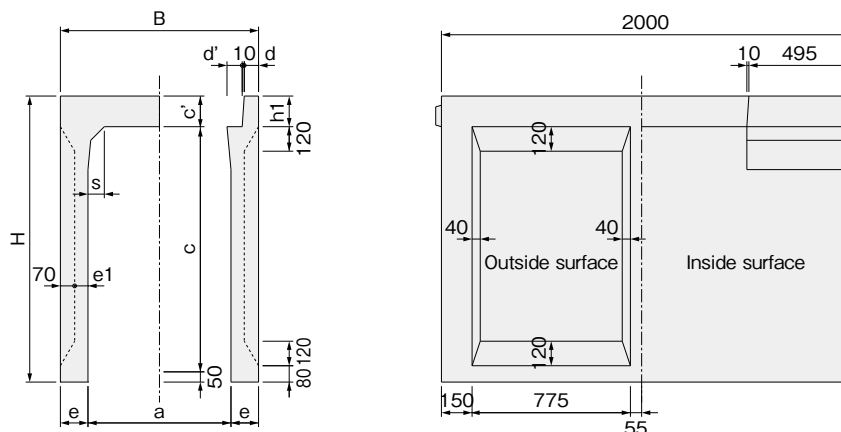


SIZE	b1	b2	t1
400 × 400	610	710	70
400 × 500, 600	620	720	70
400 × 700~900	640	740	70
400 × 1000~1200	660	760	70
500 × 600~800	740	840	80
500 × 900~1100	770	870	80

(mm)

VS Gutter BIG

Standard

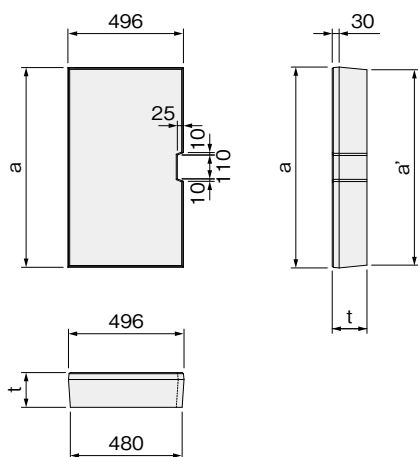


Size

SIZE	a	c	B	H	d	d'	e	e1	c'	h1	s	Weight
900×700	900	700	1190	920	75	79	145	75	170	170	90	1310
900×800	900	800	1190	1020	75	79	145	75	170	170	90	1400
900×900	900	900	1190	1120	75	79	145	75	170	170	90	1483
1000×1100	1000	1100	1300	1330	80	80	150	80	180	180	100	1797
1000×1200	1000	1200	1300	1430	80	80	150	80	180	180	100	1889
1000×1300	1000	1300	1300	1530	80	80	150	80	180	180	100	1980
1000×1400	1000	1400	1300	1630	80	80	150	80	180	180	100	2072

(mm) (kg)

Standard

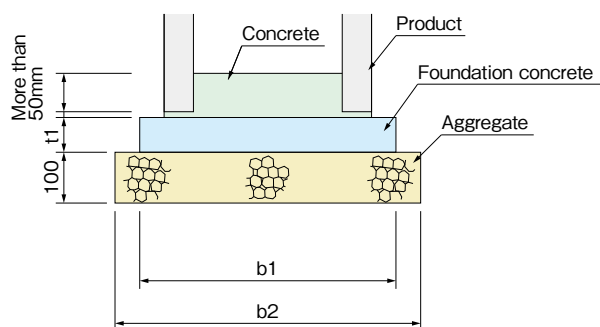


Size

SIZE	a	a'	t	Weight
900	1026	1010	170	208
1000	1126	1110	180	242

(mm) (kg)

Standard structure



SIZE	b1	b2	t1
900	1290	1390	150
1000	1400	1500	150

(mm)

WHAT'S NEW!

STANDARD

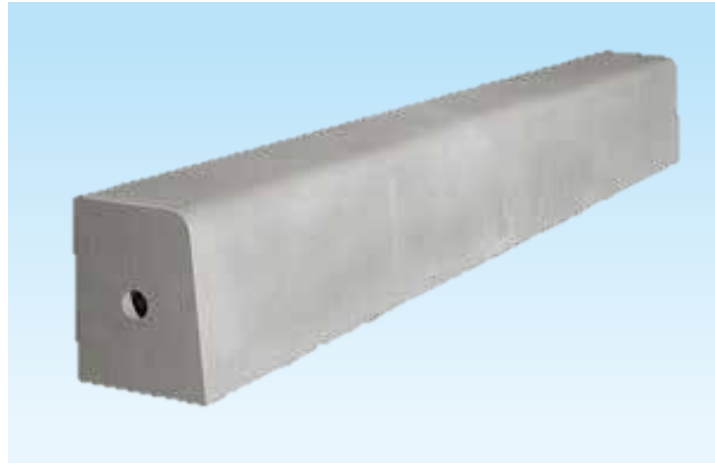
CULVERT

WALL

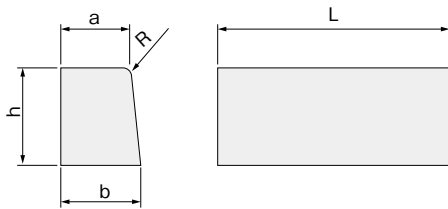
WATER WAY

INTERLOCKING BLOCK

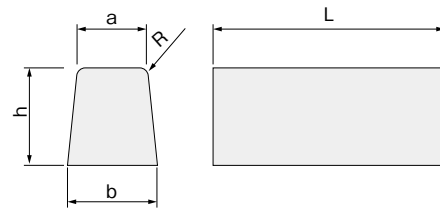
Concrete Curb



Standard



Standard



Size

SIZE	a	b	h	R	L	Weight
Standard A	150	170	200	20	600	45
Standard B	180	205	250	30	600	68

(mm) (kg)

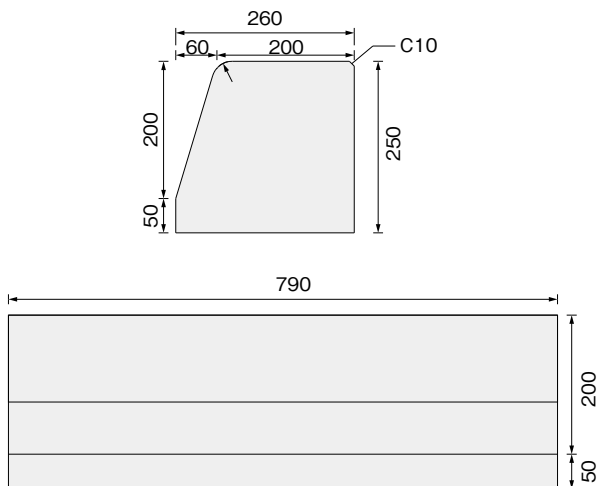
Size

SIZE	a	b	h	R	L	Weight
Standard Double B	180	230	250	30	600	72

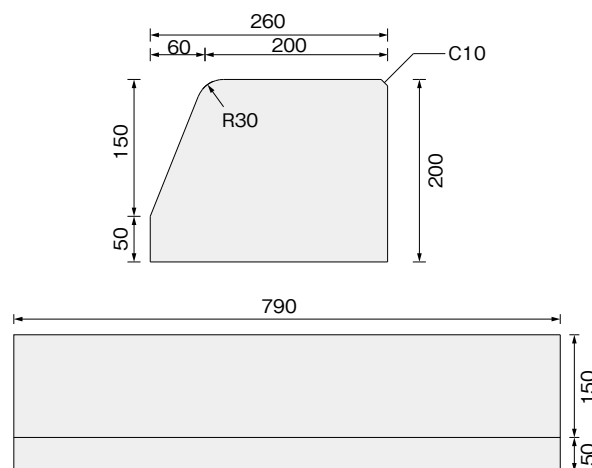
(mm) (kg)

Concrete Curb

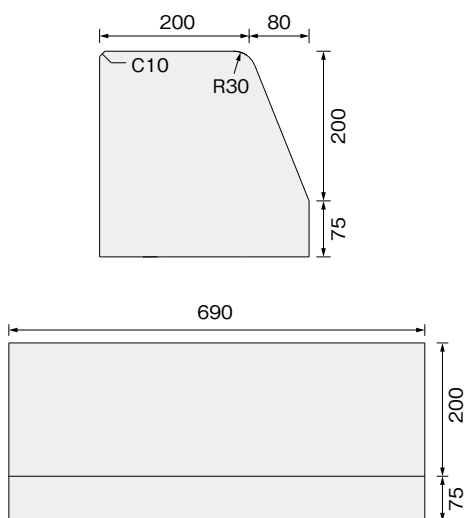
Sapporo- I Standard
260 × 250 × 790; 97kg



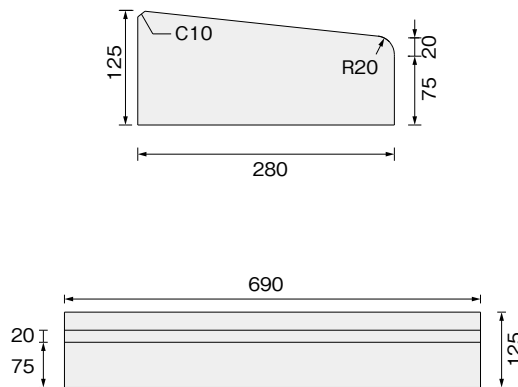
Sapporo- II Standard
260 × 200 × 790; 79kg



Dogen-Standard
W = 103kg



Dogen Tokusyu Henkei B
W = 53kg



WHAT'S NEW!

STANDARD

CULVERT

WALL

WATER WAY

INTERLOCKING BLOCK

WHAT'S NEW!

STANDARD

CULVERT

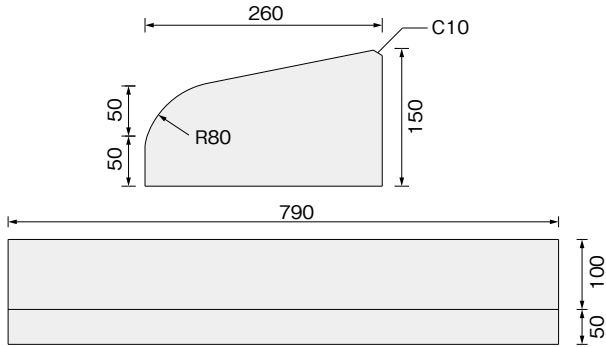
WALL

WATER WAY

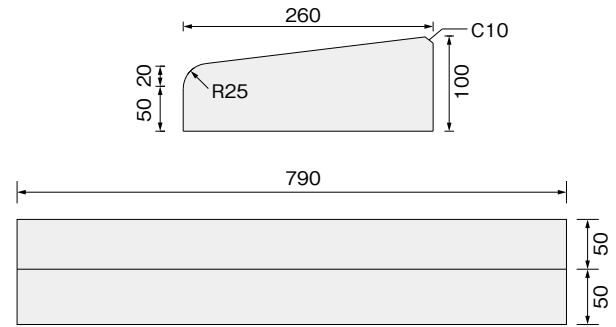
INTERLOCKING BLOCK

Concrete Curb

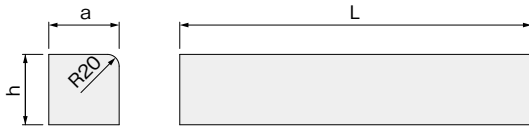
Sapporo- I Henkei B.
260 × 150 × 790; 57kg



Sapporo- II -Tokusyu Henkei B.
260 × 100 × 790; 37kg



Concrete curb 100X150 L600
Concrete curb 120X120 L600

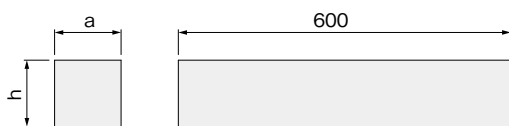


Size

SIZE	a	h	L	Weight
4号	100	150	600	21
8号	120	120	600	20

(mm) (kg)

Concrete curb chisaki 100x100 L600

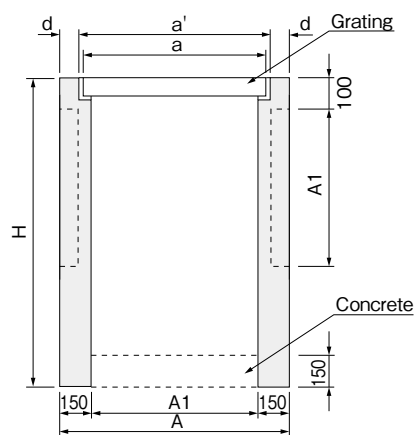
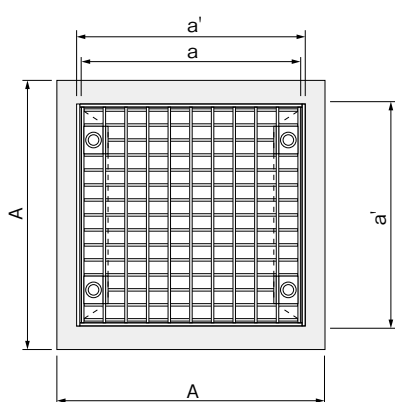


Size

SIZE	a	h	Weight
chisaki A	120	120	21
chisaki B	150	120	26
chisaki C	150	150	32

(mm) (kg)

Basin with grating



WHAT'S NEW!

STANDARD

CULVERT

WALL

WATER WAY

INTERLOCKING BLOCK

Size

SIZE	H	A1	A	a	a'	d
600×600	800~1500	600	900	713	735	82.5

(mm)

Weight

H	Weight
800	817
900	923
1000	1029
1100	1183
1200	1293
1300	1403
1400	1513
1500	1623

(kg)

※The table of limitation of soil covering



WHAT'S NEW!

STANDARD

CULVERT

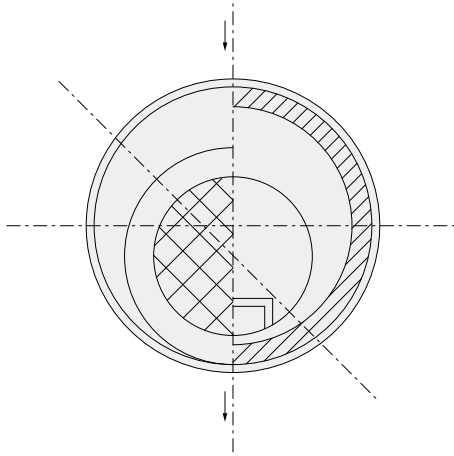
WALL

WATER WAY

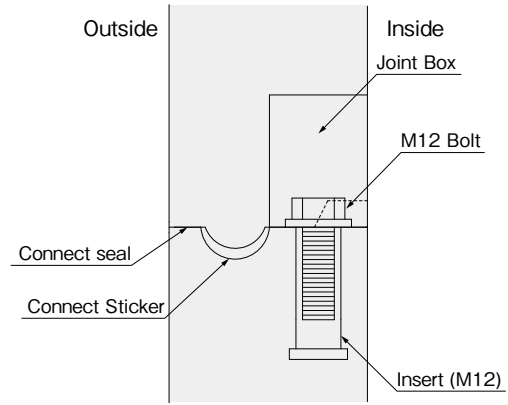
INTERLOCKING BLOCK

MANHOLE

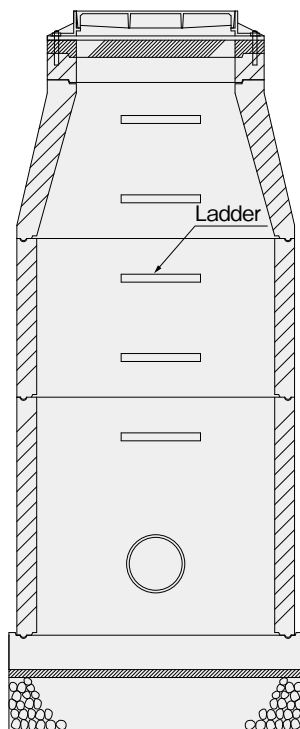
Layout Drawing



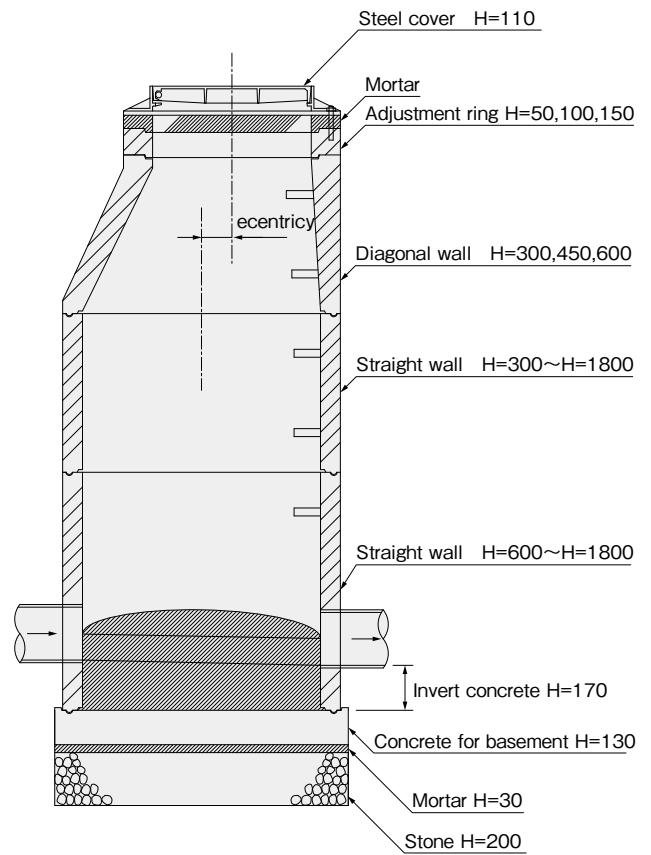
Joint Detail

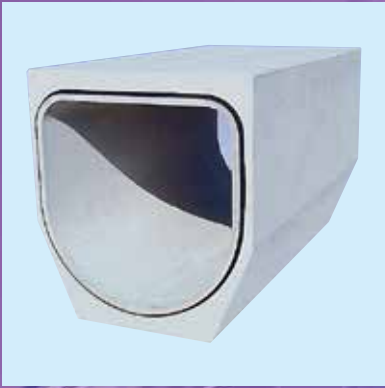


Front elevation



Side elevation





CULVERT

DO Pipe

BOX Culvert

WHAT'S NEW!

STANDARD

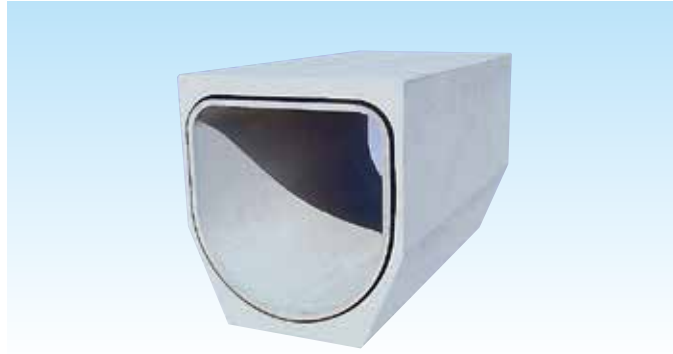
CULVERT

WALL

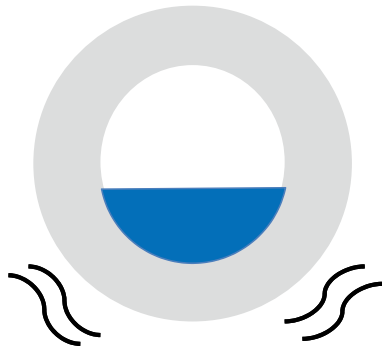
WATER WAY

INTERLOCKING BLOCK

DO Pipe



STANDARD PIPE

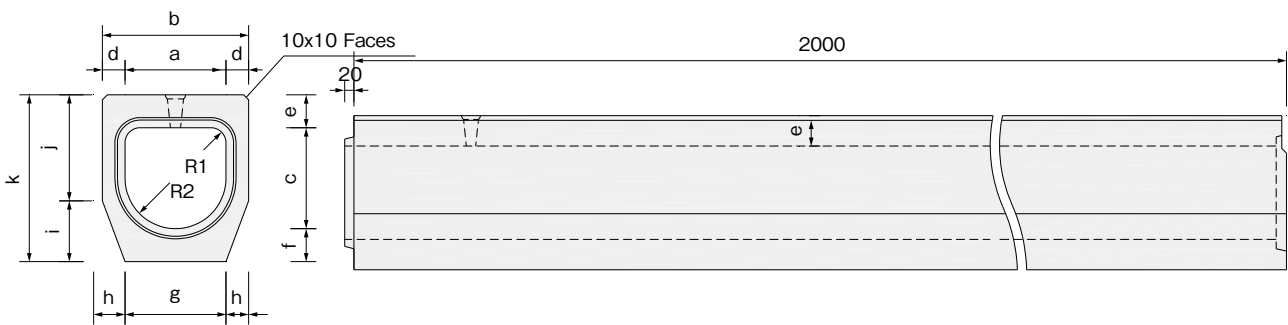


DO PIPE



- DO gutter available to drain more quicker than standard gutter.
- Flatness of the Bottom makes easy to install at site
- Inside of the gutter might be clean automatically cause of dragging effect by this circle shape
- The regulation follow Japanese Industrial Standard (JIS).

Standard structure



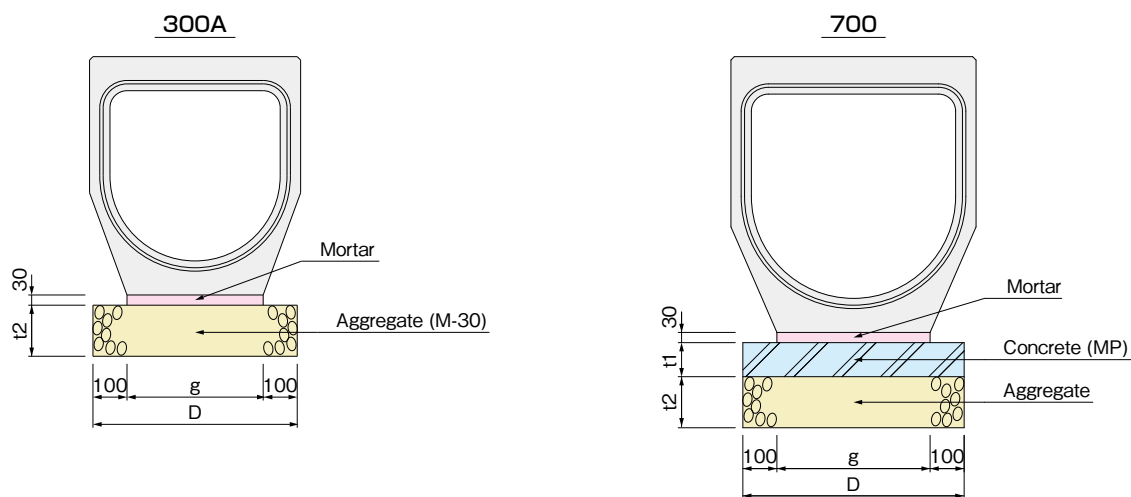
Size

SIZE	a	c	b	k	g	d	e	f	h	i	j	R1	R2	Weight
300A	300	300	400	440	300	50	70	70	50	170	270	50	150	432
300B	300	400	410	540	300	55	70	70	55	170	370	50	150	504
700	700	700	830	930	530	65	115	115	150	350	580	100	350	1403

(mm) (kg)

DO Pipe

Standard structure



Size

SIZE	g	D	t1	t2	Aggregate		Form Work	Casting Concrete	Mortar
	(mm)	(mm)	(mm)	(mm)	(m ²)	(m ³)	(m ²)	(m ³)	(m ³)
300A	300	500	-	150	5.000	0.750	-	-	0.090
300B	300	500	-	150	5.000	0.750	-	-	0.090
700	530	730	100	150	7.300	1.095	2.000	0.730	0.159

Grating weight is not included

SIZE	(m)
300A	0.04~12.0
300B	0.04~12.0
700	0.04~7.5

WHAT'S NEW!

STANDARD

CULVERT

WALL

WATER WAY

INTERLOCKING BLOCK

WHAT'S NEW!

STANDARD

CULVERT

WALL

WATER WAY

INTERLOCKING BLOCK

BOX Culvert



BOX Culvert is the fast, easy solution for applications under roads, railways and runways as drainage culverts, underpasses or service ducts. Precast units mean fast installation with minimal disruption to services and traffic.

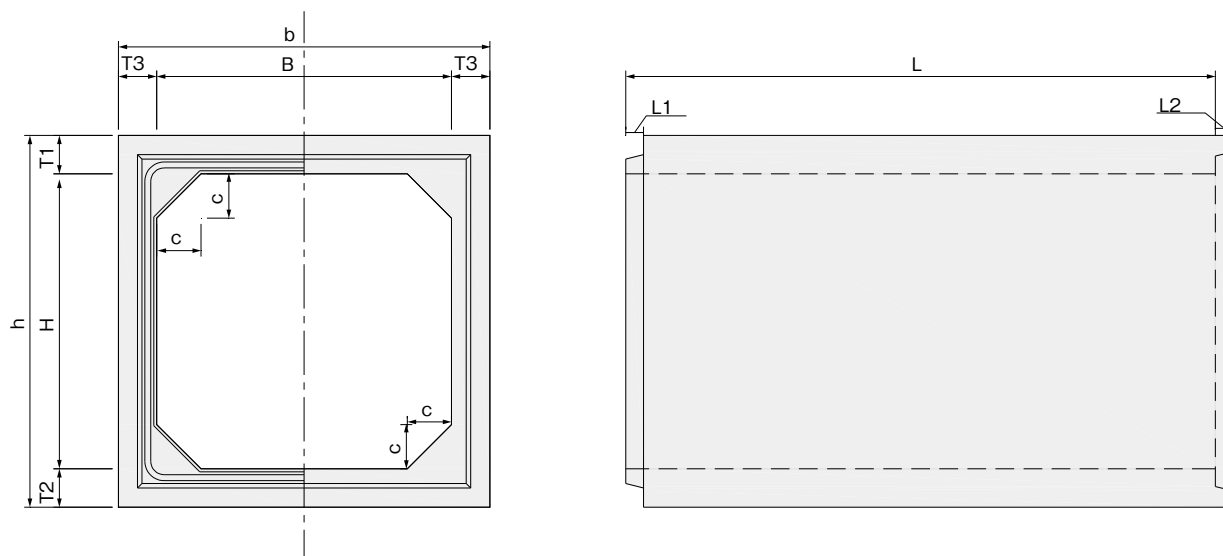
Box culverts can be laid in all weather conditions and are easy to offload and install on site. We manufacture a wide range of box culverts, base slabs and link slabs. Large volumes of storm water can be transmitted with the rectangular shape not impacting on stream flow or width.

Box Culverts are well suited to applications where low cover to the road surface is available, avoiding the need to raise the road to achieve adequate cover.

The product follow Japanese Industrial Standard (JIS) regulation.

BOX Culvert

Standard structure



Size

SIZE (B×H)	B	H	b	h	T1	T2	T3	c	L1	L2	L	Weight
700×700	700	700	960	960	130	130	130	100	60	40	2000	2260
800×800	800	800	1060	1060	130	130	130	100	60	40	2000	2520
900×600	900	600	1160	860	130	130	130	100	60	40	2000	2390
900×900	900	900	1160	1160	130	130	130	100	60	40	2000	2780
1000×800	1000	800	1260	1060	130	130	130	150	60	60	2000	2900
1000×1000	1000	1000	1260	1260	130	130	130	150	60	60	2000	3160
1000×1500	1000	1500	1260	1760	130	130	130	150	60	60	2000	3810
1200×1200	1200	1200	1460	1460	130	130	130	150	60	60	2000	3680
1300×1300	1300	1300	1560	1580	140	140	130	150	60	60	2000	4100
1400×1400	1400	1400	1660	1700	150	150	130	150	60	60	2000	4540

(mm) (kg)

※available to produce the other size

WHAT'S NEW!

STANDARD

CULVERT

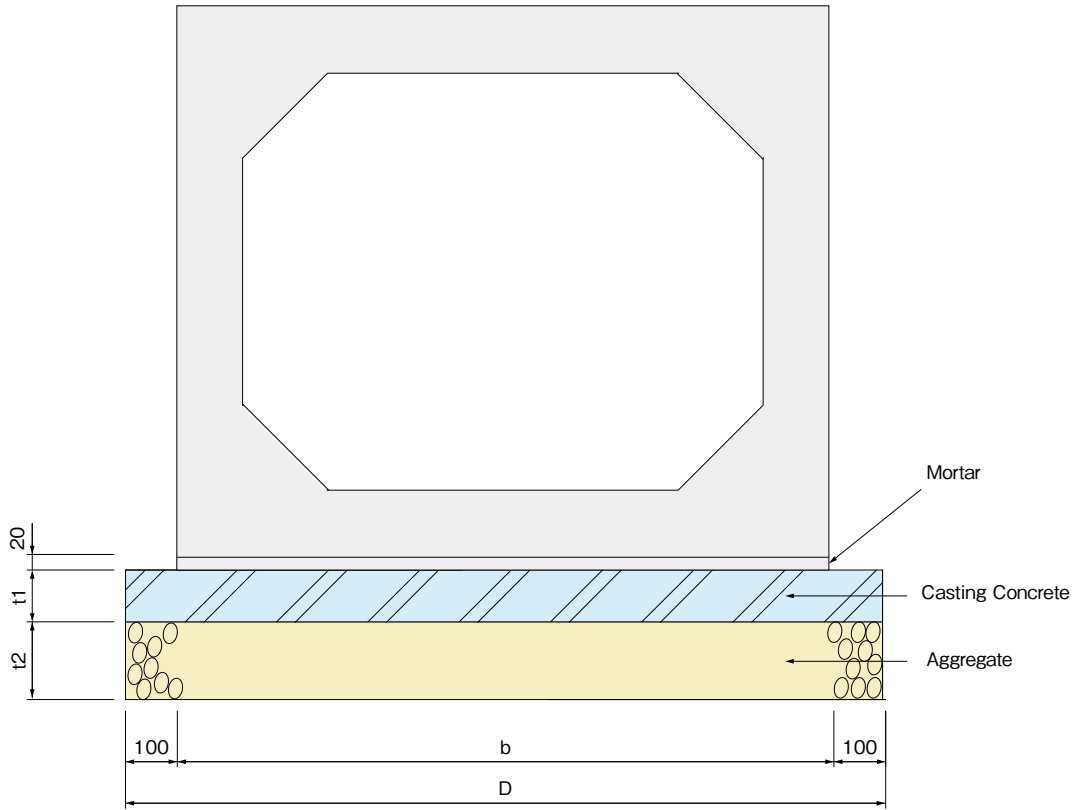
WALL

WATER WAY

INTERLOCKING BLOCK

BOX Culvert

Standard structure



Size

SIZE	b	D	t1	t2	Aggregate		Form Work (m ²)	Casting Concrete (m ³)	Mortar (m ³)
					(m ²)	(m ³)			
700×700	960	1160	100	150	11.600	1.740	2.000	1.160	0.192
800×800	1060	1260	100	150	12.600	1.890	2.000	1.260	0.212
900×600~900	1160	1360	100	150	13.600	2.040	2.000	1.360	0.232
1000×800~1500	1260	1460	100	150	14.600	2.190	2.000	1.460	0.252
1200×800~1500	1460	1660	150	200	16.600	3.320	3.000	2.490	0.292
1300×1300	1560	1760	150	200	17.600	3.520	3.000	2.640	0.312
1400×1400	1660	1860	150	200	18.600	3.720	3.000	2.790	0.332

(mm)

(kg)



WALL

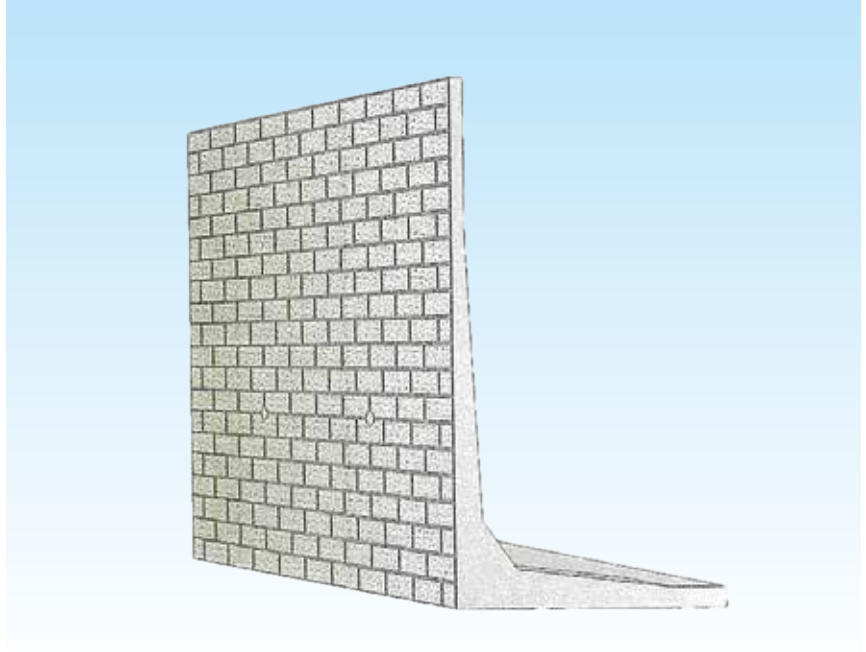
SKW (Retaining Wall)

KENCHI Block

Noridome 300

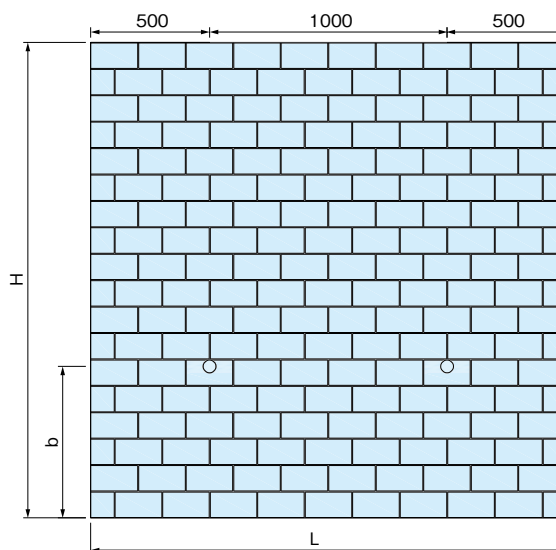
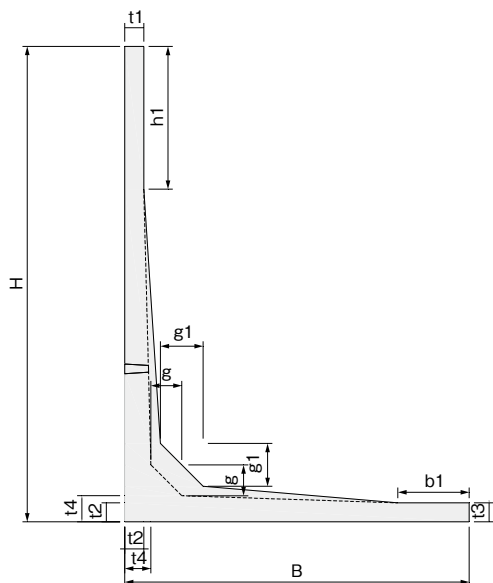
SKW (Retaining Wall)

- Retaining wall can make wall where you want to build wall.
- Retaining wall will support to use property as large as possible when owner want to soil back filling.



Retaining Wall

Standard



Size

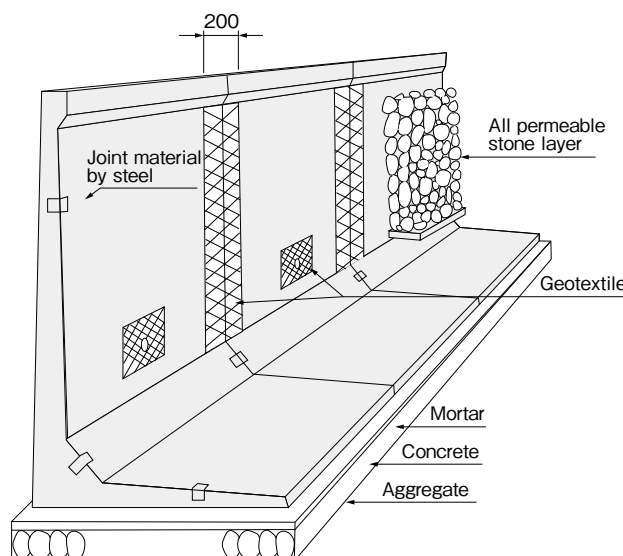
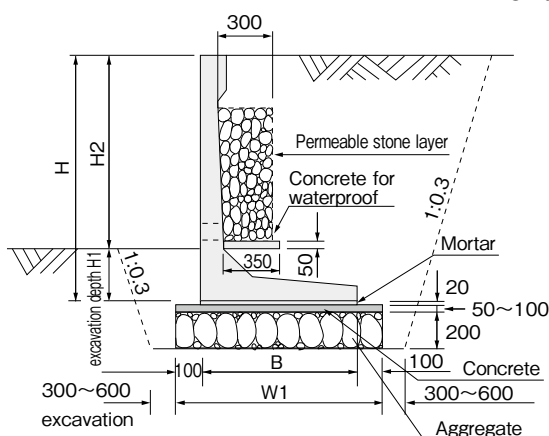
H	B	t1 *Block type	t2	t3	t4	g	g1	h1	b1	L	Weight
600	670	150	70	70	-	100	-	-	-	2000	430
1000	840	150	80	70	-	100	-	400	170	2000	670
1500	1150	150	100	80	150	120	150	500	240	2000	1150
2000	1450	150	110	80	150	130	180	600	300	2000	1570
2500	1750	150	160	80	200	150	200	600	300	2000	2560
3000	2050	150	160	80	250	150	250	700	500	2000	3070

(mm) (kg)

SKW (Retaining Wall)

Standard structure

Unit : mm



WHAT'S NEW!

STANDARD

CULVERT

WALL

WATER WAY

INTERLOCKING BLOCK

WHAT'S NEW!

STANDARD

CULVERT

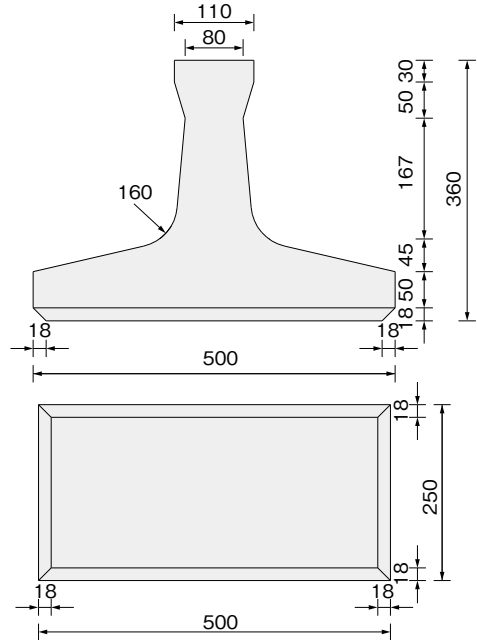
WALL

WATER WAY

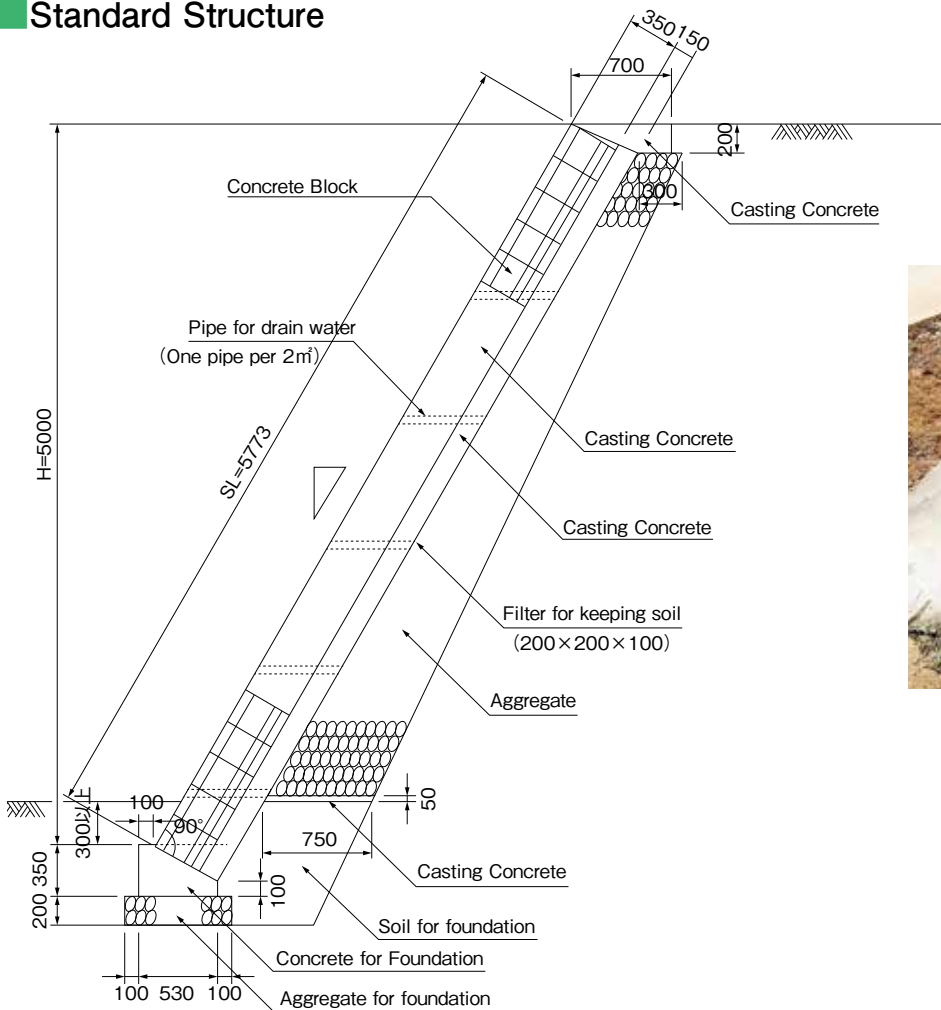
INTERLOCKING BLOCK

KENCHI Block

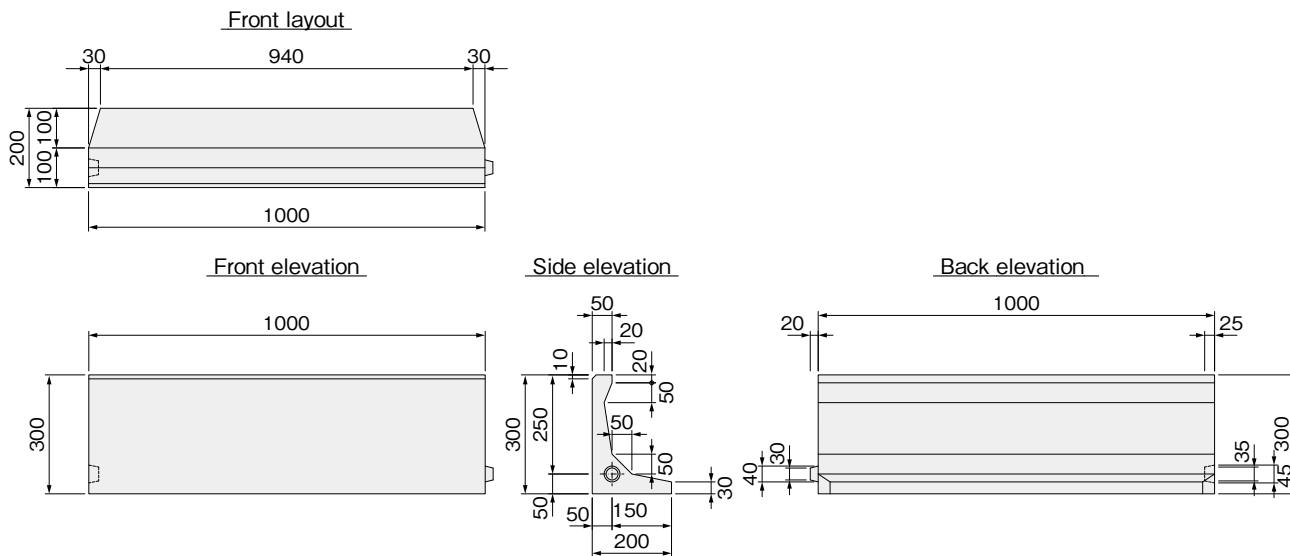
Drawing Here



Standard Structure



Noridome 300



WHAT'S NEW!

STANDARD

CULVERT

WALL

WATER WAY

INTERLOCKING BLOCK





WATER WAY

NL water way

TDL water way

WHAT'S NEW!

STANDARD

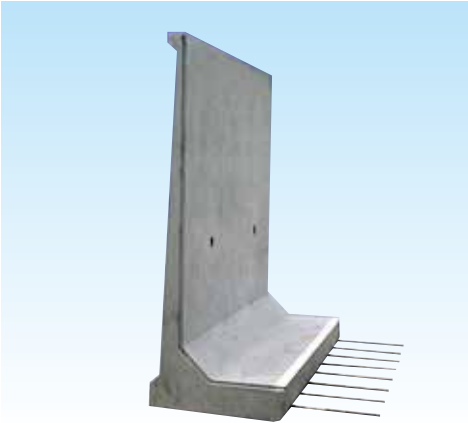
CULVERT

WALL

WATER WAY

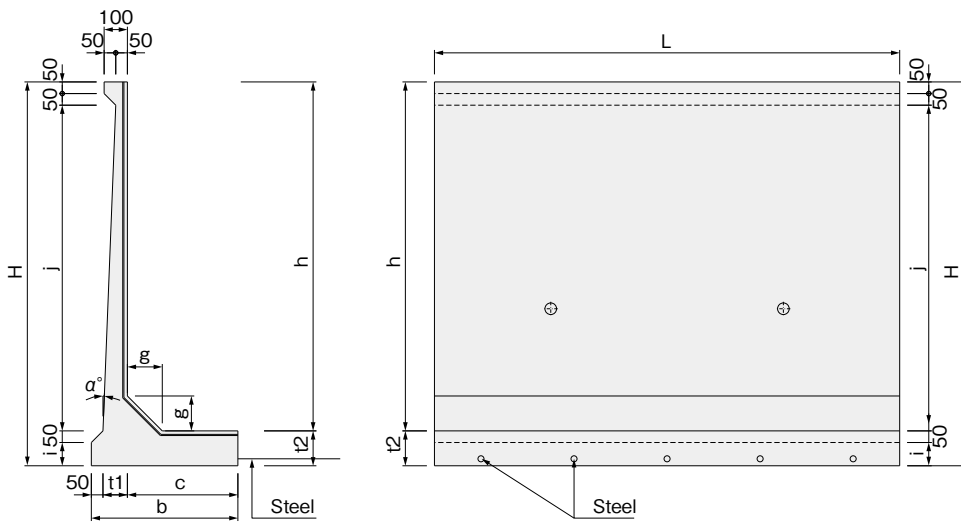
INTERLOCKING BLOCK

NL water way



- Precast concrete wall for water way
- The wall thickness is not thick. So easy to install.
- Center of the water way is built by site casting concrete
- It can use water way that located not near from car road

Standard



Size

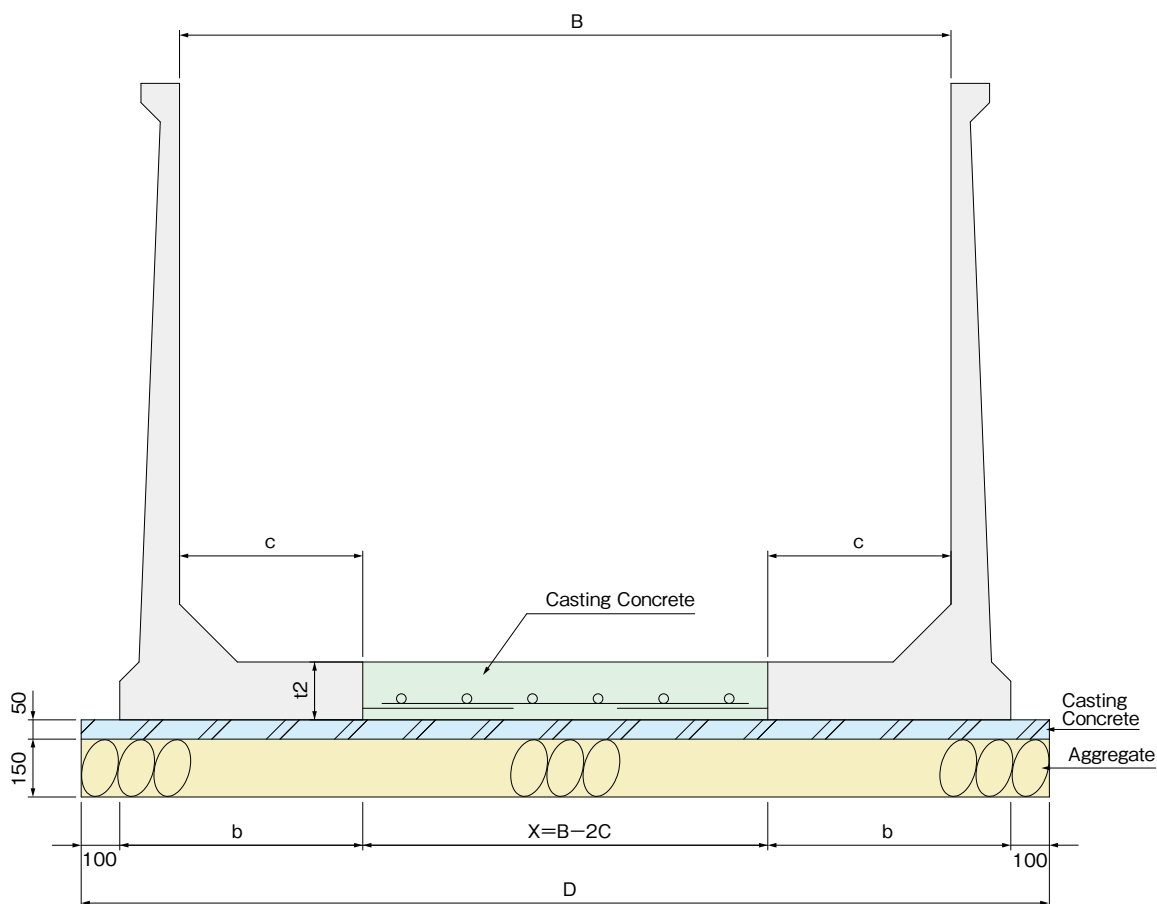
SIZE	h	H	c	b	t1	t2	g	j	i	a	L	Weight
600	600	660	150	260	60	60	100	500	10	1.15	2000	278
1000	1000	1100	270	400	80	100	100	900	50	1.91	2000	555
1100	1100	1210	305	440	85	110	100	1000	60	2.00	2000	642
1200	1200	1320	340	480	90	120	100	1100	70	2.08	2000	736

(mm)

(kg)

NL water way

Standard structure



Size (Per10m)

SIZE	b	c	t2	Concrete width X	Foundation width	Number of rebar	Aggregate for foundation(m ³)	Laying Concrete	Bottom Concrete
600	0.26	0.15	0.060	B-0.300	0.720+X	10.0	1.080+1.5X	0.360+0.5X	0.600X
1000	0.400	0.270	0.100	B-0.540	1.000+X	10.0	1.500+1.5X	0.500+0.5X	1.000X
1100	0.440	0.305	0.110	B-0.610	1.080+X	10.0	1.620+1.5X	0.540+0.5X	1.100X
1200	0.480	0.340	0.120	B-0.680	1.160+X	10.0	1.740+1.5X	0.580+0.5X	1.200X

WHAT'S NEW!

STANDARD

CULVERT

WALL

WATER WAY

INTERLOCKING BLOCK

WHAT'S NEW!

STANDARD

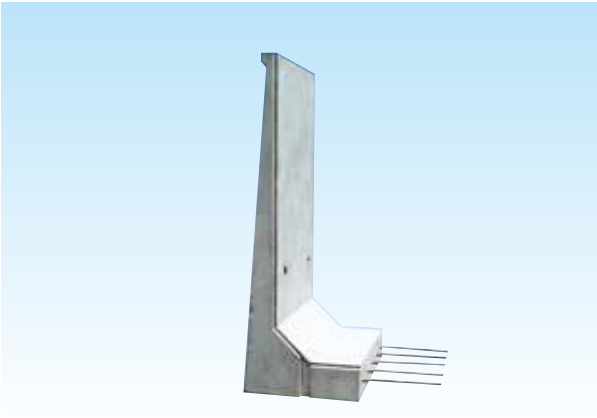
CULVERT

WALL

WATER WAY

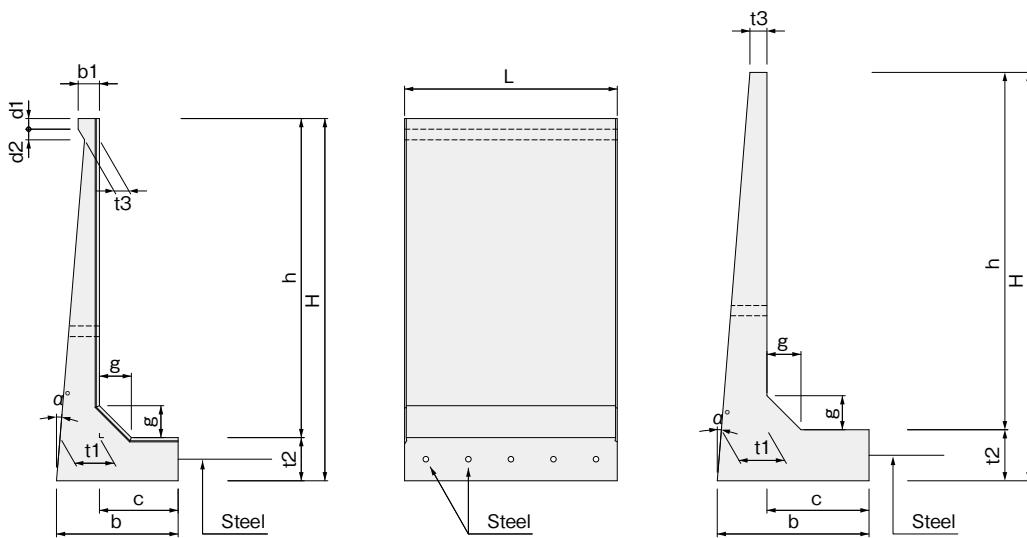
INTERLOCKING BLOCK

TDL water way



- Precast concrete wall for water way
- The wall thickness is enough thick for strong pressure
- Center of the water way is built by site casting concrete
- It can use water way that located near heavy car road

Standard



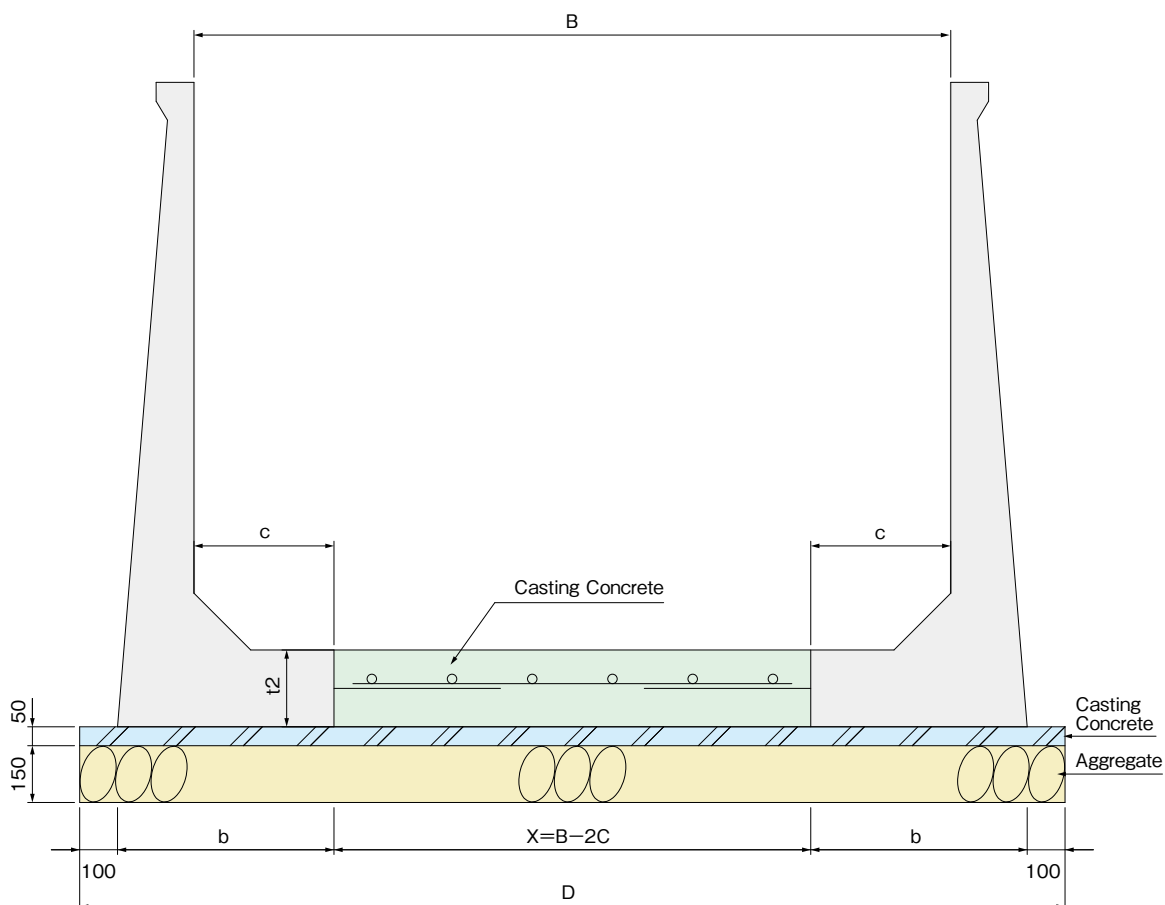
Size

SIZE	h	H	c	b	t1	t2	t3	g	b1	d1	d2	a	L	Weight
1800	1800	2026	490	706	199	226	70	200	100	50	50	4.34	1000	1039
2000	2000	2250	567	801	215	250	70	200	100	50	50	4.36	1000	1245
2200	2200	2500	600	900	276	300	100	200	-	-	-	4.57	1000	1750
2300	2300	2600	600	908	284	300	100	200	-	-	-	4.57	1000	1826

(mm) (kg)

TDL water way

Standard structure



Size (Per10m)

SIZE	b	c	t2	Concrete width X	Foundation width	Number of rebar	Aggregate for foundation(m ³)	Laying Concrete	Bottom Concrete
1800	0.706	0.490	0.226	B-0.980	1.612+X	20.0	2.418+1.5X	0.806+0.5X	2.260X
2000	0.801	0.567	0.250	B-1.134	1.802+X	20.0	2.703+1.5X	0.901+0.5X	2.500X
2200	0.900	0.600	0.300	B-1.200	2.000+X	20.0	3.000+1.5X	1.000+0.5X	3.000X
2300	0.908	0.600	0.300	B-1.200	2.016+X	20.0	3.024+1.5X	1.008+0.5X	3.000X

WHAT'S NEW!

STANDARD

CULVERT

WALL

WATER WAY

INTERLOCKING BLOCK





INTERLOCKING BLOCK

CAR WAY INTERLOCKING BLOCK

Straight (80mm)

TOP Shape (100mm)

WALKWAY INTERLOCKING BLOCK

Straight (60mm)

Flat Plate

Apia

Uni-Normal

pogolit

Tenji, senji

BORDER BLOCK

SPECIAL INTERLOCKING BLOCK

Water Permeability

WHAT'S NEW!

STANDARD

CULVERT

WALL

WATER WAY

INTERLOCKING BLOCK

Benefits of Interlocking block compared with Concrete Pavement

Looks good !



Appearance

Wide ranges of finishes, color, shapes and sizes. Laying can complement any roads architecture due to a wide variety of styles available.

Heavy !
But no problem.

Durability and stability



During installation special jointing sand is used between the pavers. Factory-made can last decades, and keep stability.

Reasonable !



Cost-saving

Installation cost is same as concrete pavement. And maintenance cost is much cheaper than concrete pavement.

Fast installing !



Speedy

Immediately ready for use. Can be installed by skill workers who trained by Japanese professional Installers.

For Borey



For Container yard

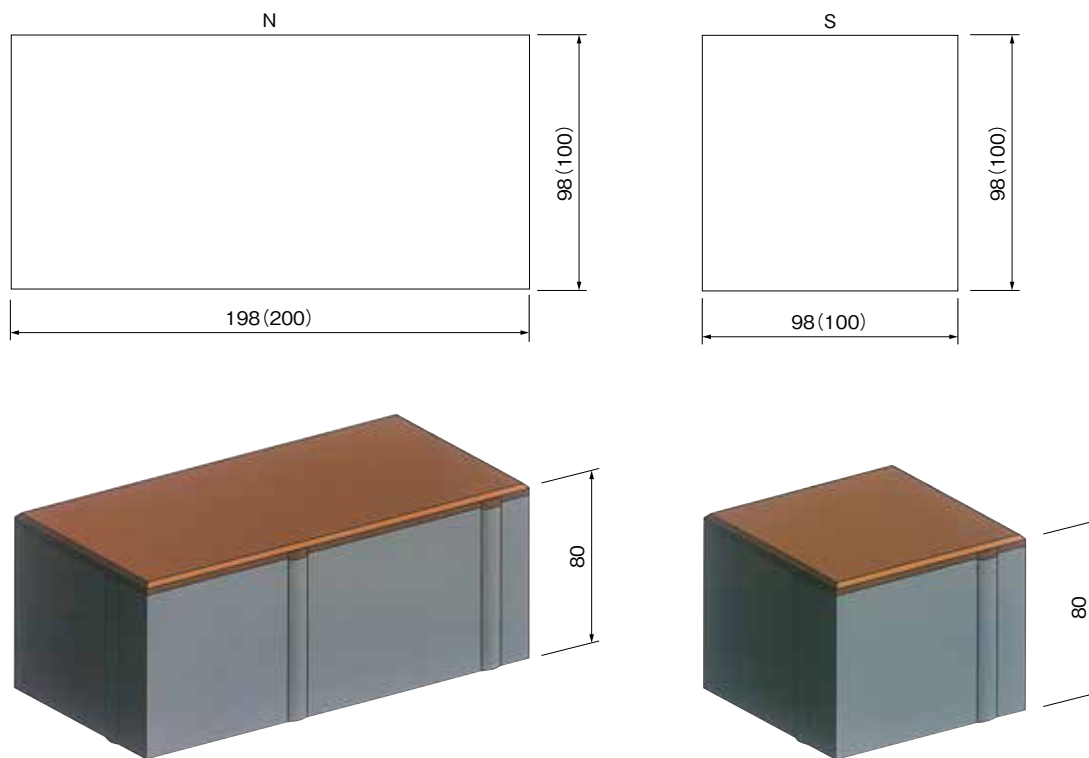


For Road in city



Straight 80mm (CAR WAY INTERLOCKING BLOCK)

Size



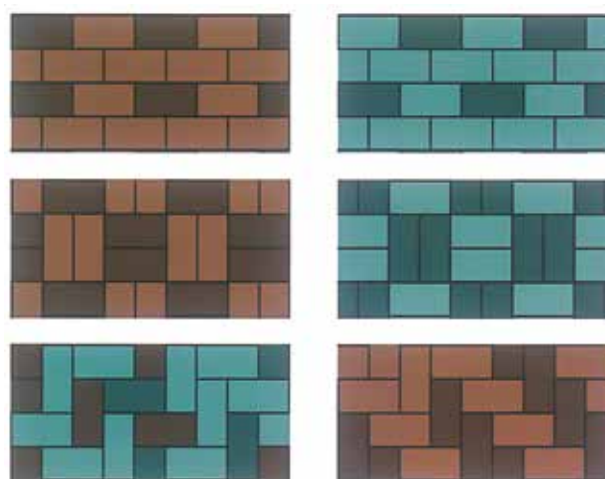
Color

	1%	5%
Black		
Red		
Orange		
Green		
Blue		
Yellow		
White		
Cement		

※ FOR PRODUCTS WITH THIS MARK, ADDITIONAL CHARGE IS REQUIRED.



Pattern



WHAT'S NEW!

STANDARD

CULVERT

WALL

WATER WAY

INTERLOCKING BLOCK

WHAT'S NEW!

STANDARD

CULVERT

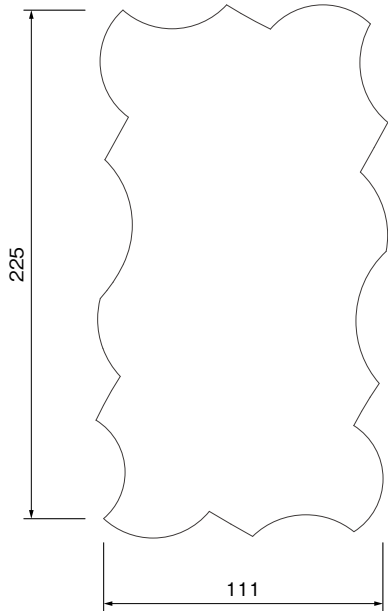
WALL

WATER WAY

INTERLOCKING BLOCK

TOP Shape 100mm (CAR WAY INTERLOCKING BLOCK)

Size



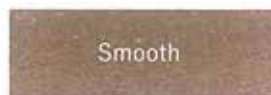
Color

	1%	5%
Black		
Red		
Orange		
Green		
Blue		
Yellow		
White		
Cement		

Example photo

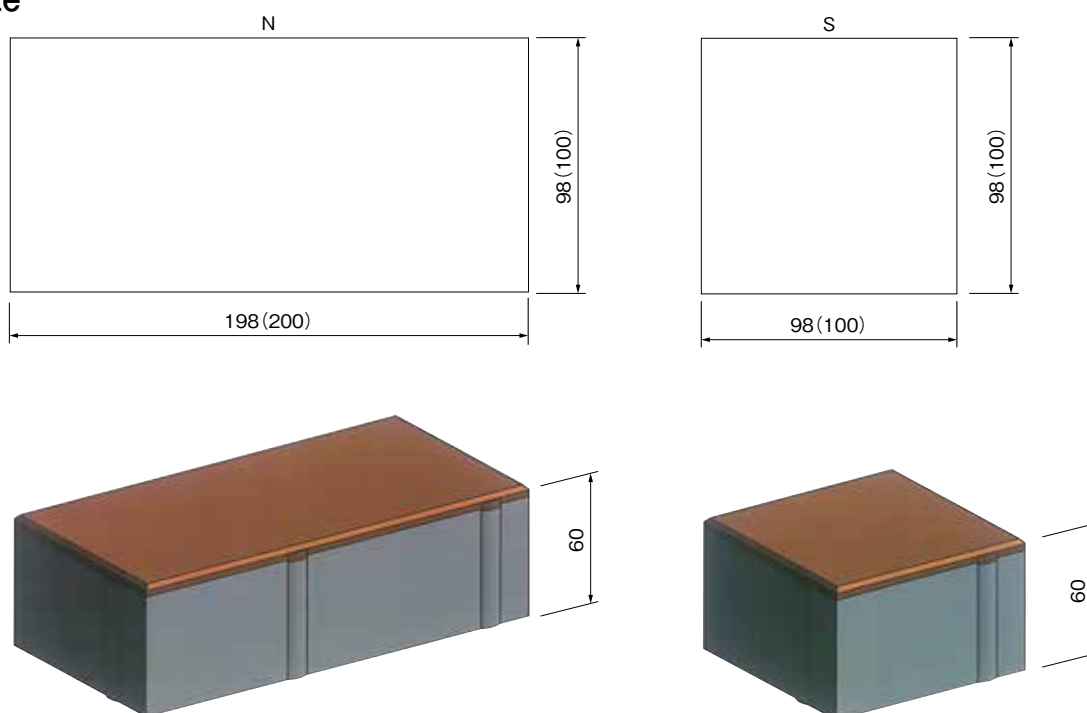


※ FOR PRODUCTS WITH THIS MARK, ADDITIONAL CHARGE IS REQUIRED.



Straight 60mm (WALKWAY INTERLOCKING BLOCK)

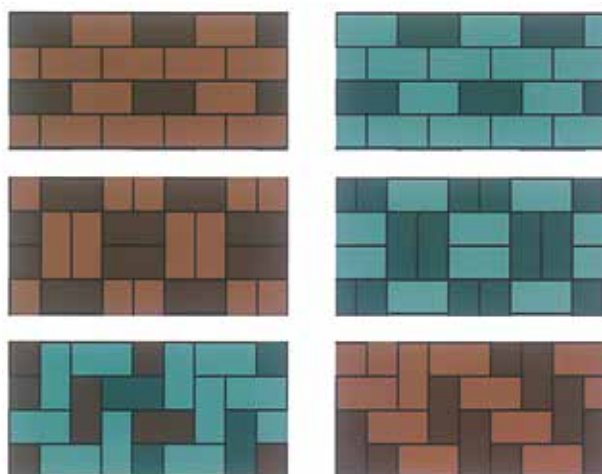
Size



Color

	1%	5%
Black		
Red		
Orange		
Green		
Blue		
Yellow		
White		
Cement		

Pattern



※ FOR PRODUCTS WITH THIS MARK, ADDITIONAL CHARGE IS REQUIRED.



WHAT'S NEW!

STANDARD

CULVERT

WALL

WATER WAY

INTERLOCKING BLOCK

WHAT'S NEW!

STANDARD

CULVERT

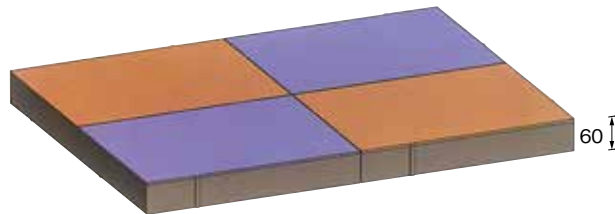
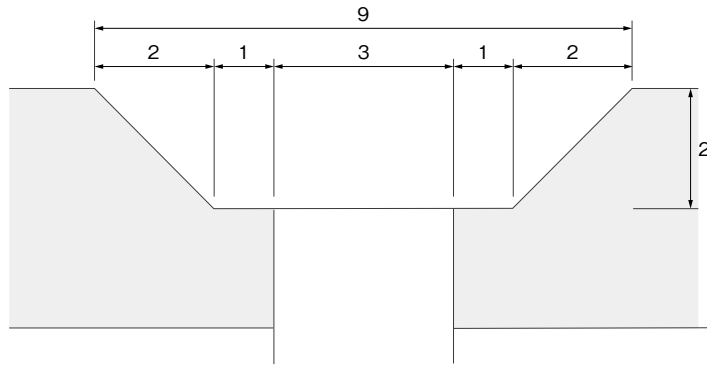
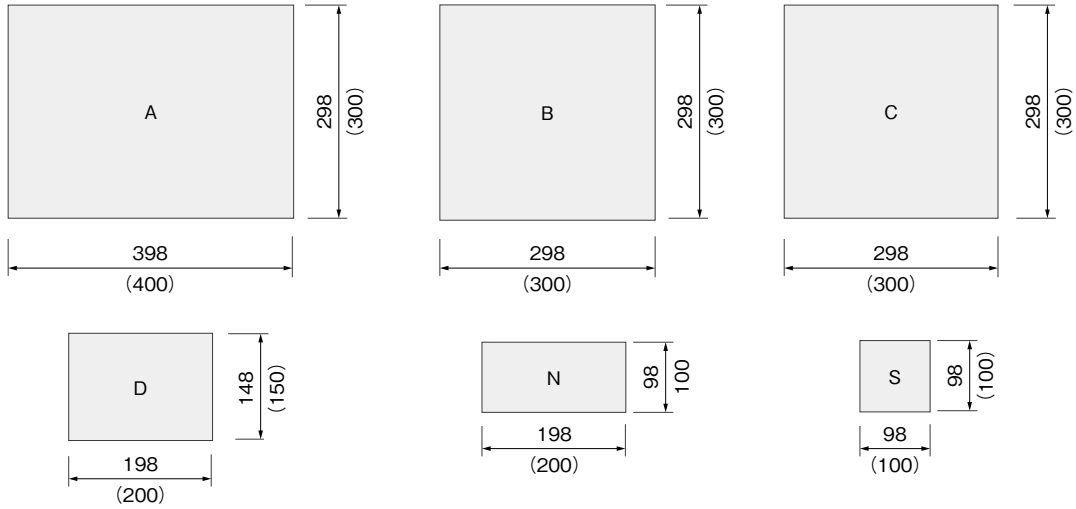
WALL

WATER WAY

INTERLOCKING BLOCK

Flat Plate (WALKWAY INTERLOCKING BLOCK)

Size



Color

	1%	5%
Black		
Red		
Orange		
Green		
Blue		
Yellow		
White		
Cement		

※ FOR PRODUCTS WITH THIS MARK, ADDITIONAL CHARGE IS REQUIRED.

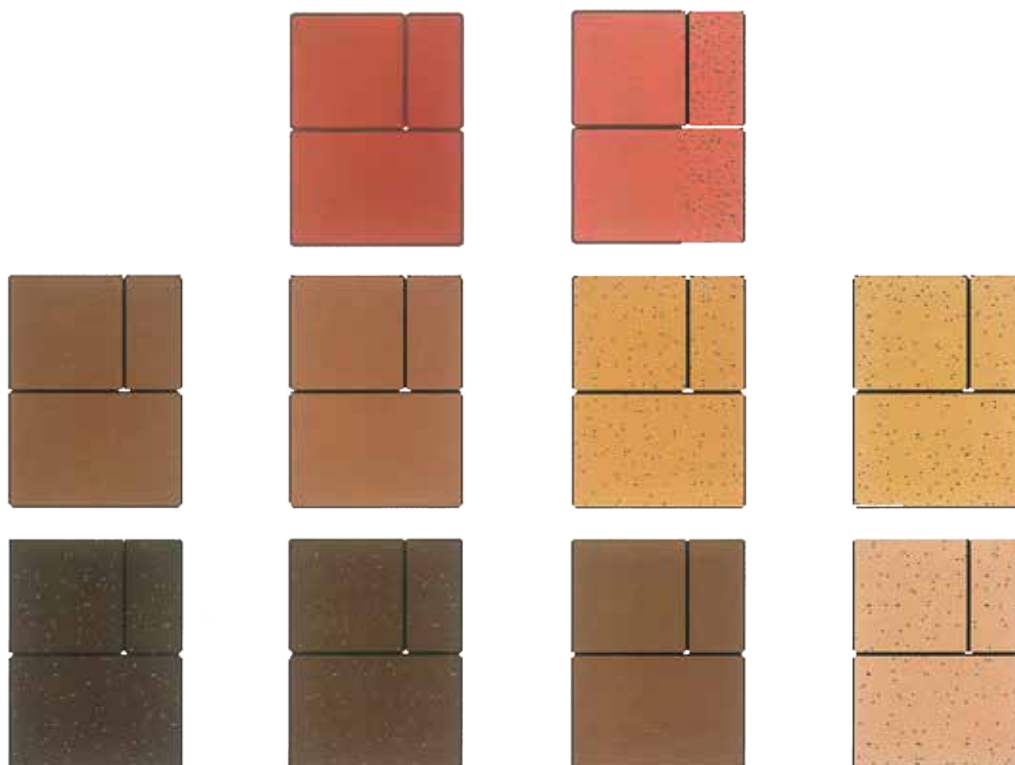
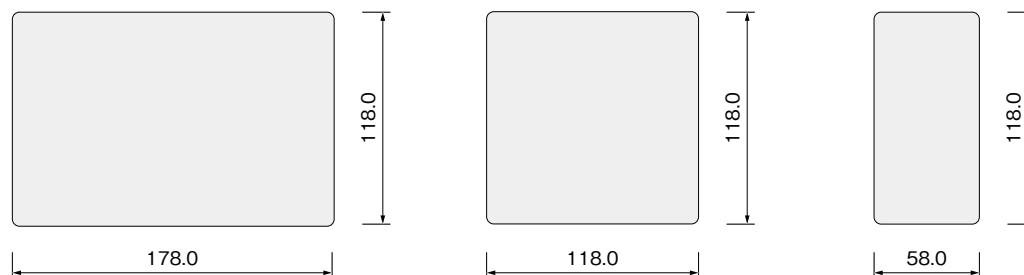


Example photo



Apia (WALKWAY INTERLOCKING BLOCK)

Size



Color

	1%	5%
Black		
Red		
Orange		
Green		
Blue		
Yellow		
White		
Cement		

※ FOR PRODUCTS WITH THIS MARK, ADDITIONAL CHARGE IS REQUIRED.



Example photo



WHAT'S NEW!

STANDARD

CULVERT

WALL

WATER WAY

INTERLOCKING BLOCK

WHAT'S NEW!

STANDARD

CULVERT

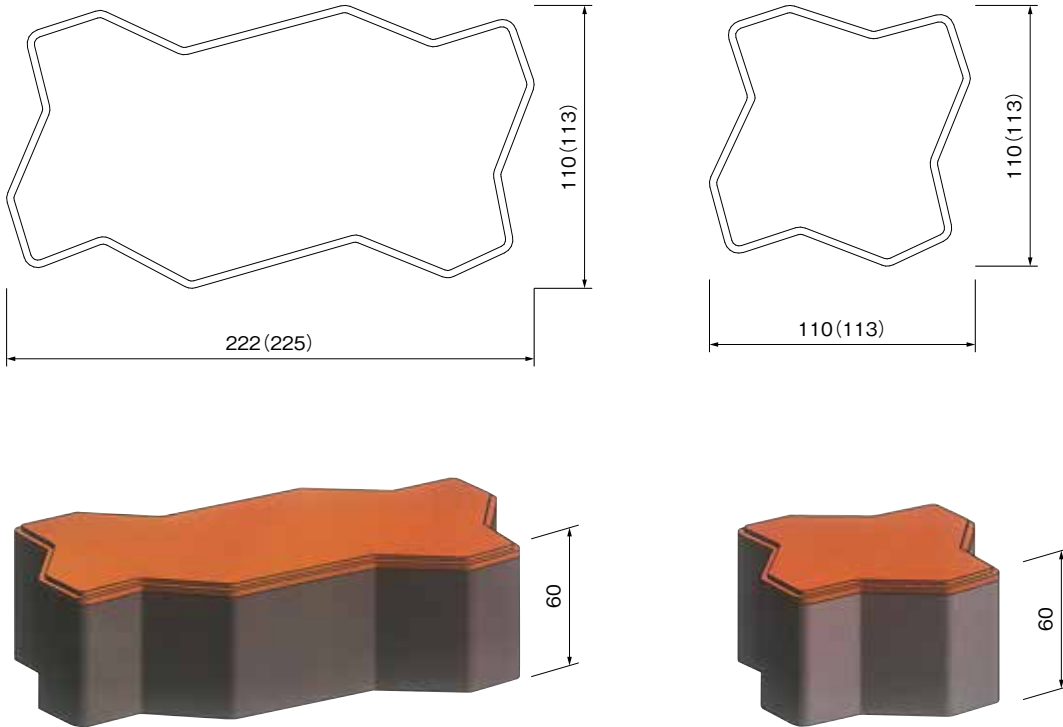
WALL

WATER WAY

INTERLOCKING BLOCK

Uni-Normal (WALKWAY INTERLOCKING BLOCK)

Size



Color

	1%	5%
Black		
Red		
Orange		
Green		
Blue		
Yellow		
White		
Cement		

Example photo



※ FOR PRODUCTS WITH THIS MARK, ADDITIONAL CHARGE IS REQUIRED.



pogolit (WALKWAY INTERLOCKING BLOCK)

WHAT'S NEW!

STANDARD

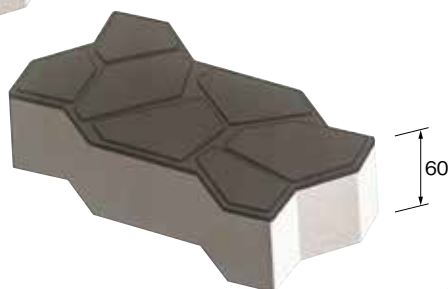
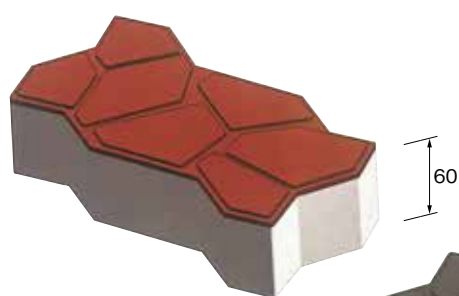
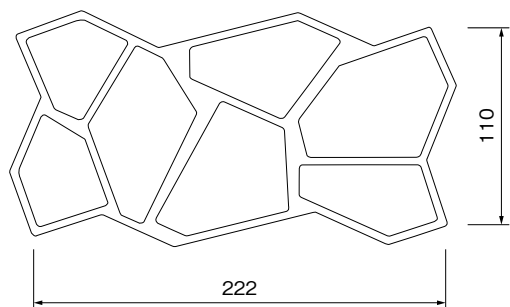
CULVERT

WALL

WATER WAY

INTERLOCKING BLOCK

Size



Color

	1%	5%
Black		
Red		
Orange		
Green		
Blue		
Yellow		
White		
Cement		

* FOR PRODUCTS WITH THIS MARK, ADDITIONAL CHARGE IS REQUIRED.



WHAT'S NEW!

STANDARD

CULVERT

WALL

WATER WAY

INTERLOCKING BLOCK

Tenji, senji (WALKWAY INTERLOCKING BLOCK)



TENJI BLOCK

- Code:** BLCL0
- Size:** 300x300x65
- Weight:** 11.7 kg/pcs
- Amount:** 11.11 pcs/m²
- Strength:** 4-5 Mpa (Bending)



SEJNI BLOCK

- Code:** BLLN0
- Size:** 300x300x65
- Weight:** 12.1 kg/pcs
- Amount:** 11.11 pcs/m²
- Strength:** 4-5 Mpa (Bending)



Tenji and Senji blocks are installed at almost all curb ramps in Japan. Directional tactile pavers are installed on sidewalk and pedestrian crossings frequently used by visually impaired people such as a route between transit facilities and buildings such as hospitals, school for visually impaired, community centre, major shopping centres, government buildings and so on.

BORDER BLOCK (WALKWAY INTERLOCKING BLOCK)



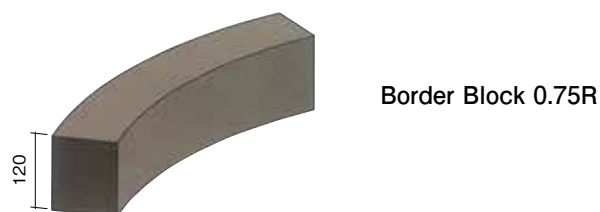
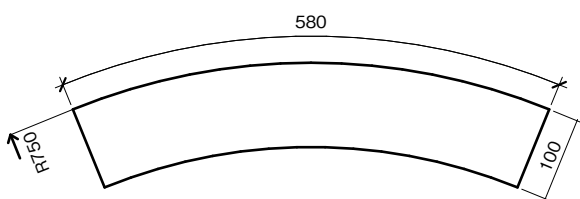
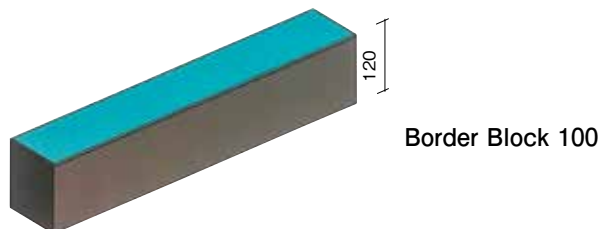
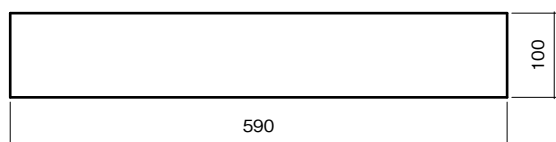
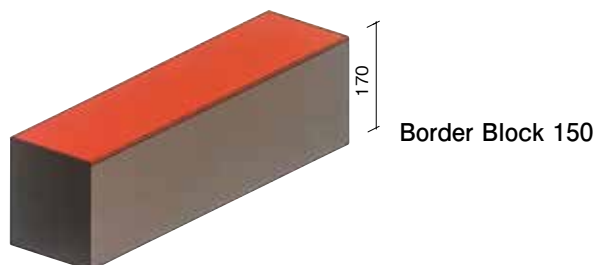
Color

	1%	5%
Black		
Red		
Orange		
Green		
Blue		
Yellow		
White		
Cement		

※ FOR PRODUCTS WITH THIS MARK, ADDITIONAL CHARGE IS REQUIRED.



Size



WHAT'S NEW!

STANDARD

CULVERT

WALL

WATER WAY

INTERLOCKING BLOCK

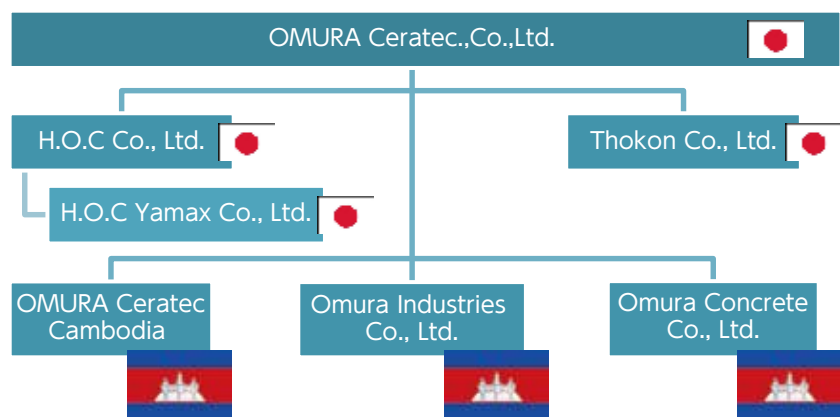
Introduction

We are established as a subsidiary operation in the kingdom, and forward to developing mutually beneficial relationships with all Cambodians and others. Using our in depth knowledge and experience, with products and technology, we have spread concrete business as a leading company in Kyushu which is Western Area of Japan in 60 years with central role and mission of infrastructure. With finest technology and quality, we have satisfied with all kinds of customer's needs.

We are keeping going forward for challenging to develop new products.



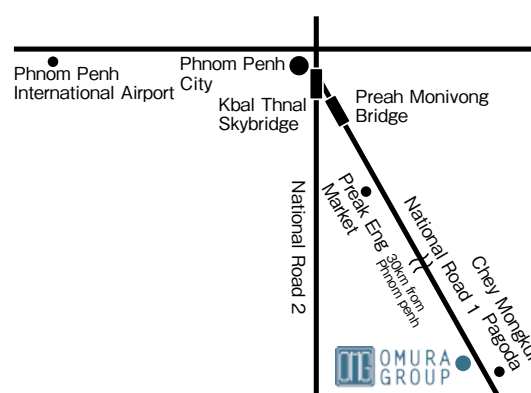
CEO
Mr. Yabusame
Kiyonori



Company name :	Omura Concrete Co. Ltd.
Address :	Office 4F, The Rise Building, #5, St.282, BKK I, Phnom Penh , Cambodia
Representative :	Yabusame Kiyonori
Capital :	\$100,000
Employees :	75
Description of business :	Selling and Producing material of construction, Construction, Managing Construction

Factory

Our factory is located in Kean svay along national road No.1. All machine has been come from Japan. We test concrete that is followed Japanese industrial standard(JIS). OMURA Concrete Co., Ltd. provide Japanese quality concrete product from Cambodia.





Total architectural service

OMURA Concrete Co., Ltd.

Office 4F, The Rise Building, #5, St.282, Sangkat Boeung Keng Kang I,
Khan Boeung Keng Kang, Phnom Penh, Cambodia.

Tel. +855 23 964 250

E-mail : info@omura-cambodia.com